

BIS Strut Rubber Strip

noise insulation lining for Strut rail

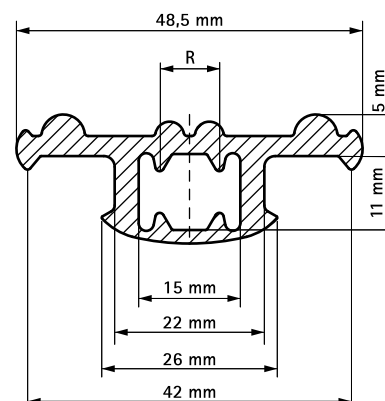
(H 39 20)



Features and benefits

- push in strip
- noise insulating lining for rail
- also usable for threaded rod M6, M8 or M10
- building material class B2 according to DIN 4102-1 and class E according to EN 13501-1
- material: EPDM rubber, black
- sound insulating lining according to DIN 4109

Part No.	R	L	For Rail	Pack 1
6568041	1/4 - 1/2"	30 m	Strut	30
6568042	1/4 - 1/2"	50 mm	Strut	50



Complementary

- Walraven RapidStrut® Cantilever Arm (BUP1000)
- Walraven RapidStrut® Fixing Rail (pg)
- Walraven RapidStrut® Fixing Rail DS 5 (BUP1000)