

# BIS RapidStrut® Hammerfix G2 (BUP1000)

(H 24 49)

fixing to Strut rail

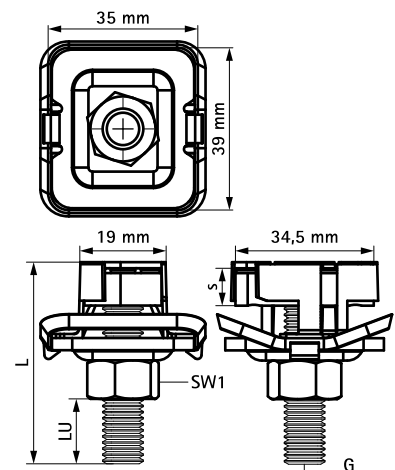


## Features and benefits

- slide nut with stud bolt, washer and BIS RapidStrut® spring
- ready-to-use pre-assembled for a quick fixing, and retains assembly in place before final tightening
- material: metal parts made of steel 1.0332; spring(s) made of POM (polyoxymethylene), green
- surface protection:
  - product is part of the BIS UltraProtect® 1000 system
  - suitable for in- and outdoor applications
  - stands min. 1,000 hours salt spray test (max. 5% red rust) according to ISO 9227

Part No.	G	L	LU (mm)	s (mm)	SW1 (mm)	T <sub>(max.)</sub> (Nm)	F <sub>a,z</sub> (N)	Pack 1	Pack 2
6527 8 5804	M8	40 mm	16	6.0	13	15.0	6,000	15	150
6527 8 5805	M8	50 mm	26	6.0	13	15.0	6,000	15	150
6527 8 5806	M8	60 mm	36	6.0	13	15.0	6,000	5	100
6527 8 5808	M8	80 mm	56	6.0	13	15.0	6,000	5	100
6527 8 5810	M8	100 mm	76	6.0	13	15.0	6,000	5	100
6527 8 5004	M10	40 mm	12	8.0	17	15.0	9,500	15	150
6527 8 5006	M10	60 mm	32	8.0	17	15.0	9,500	5	100
6527 8 5008	M10	80 mm	52	8.0	17	15.0	9,500	5	100
6527 8 5204	M12	40 mm	10	10.0	19	30.0	10,000	5	100
6527 8 5206	M12	60 mm	30	10.0	19	30.0	10,000	5	100

*Tested values in combination with BIS RapidStrut® Rail 41x41x2.5mm.*



## Complementary

- BIS RapidStrut® Fixing Rail DS 5 (BUP1000)
- BIS RapidStrut® Cantilever Arm (BUP1000)