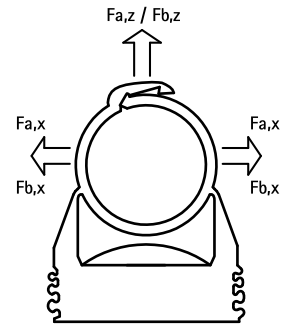
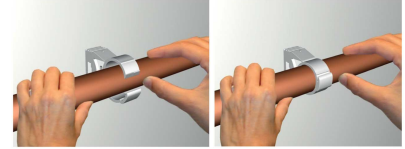


# starQuick® Clamp (Grey)

(C 05 05)

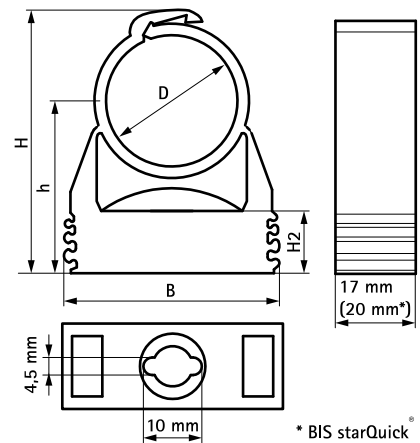
to fix pipes for electrical and mechanical installations to wall, floor or ceiling 10 - 65 mm



## Features and benefits

- one-part clamp
- clamp closes by applying pressure to the pipe
- for outdoor use and installations in swimming pool environments, chemical factories, zinc factories, etc.
- due to a patented profile it is possible to tack several clamps to each other (up to 1 1/4" CP)
- material: modified PA6 (polyamide), grey
- resistant to UV, aging, oil and gasoline
- corrosion-free, recyclable, halogen free
- temperature resistance: -40 °F to 200 °F constant, +270 °F peak
- Plenum rated - tested to ASTM E-84

**kiwa**



\* BIS starQuick®  
Ø 59 - 65 mm

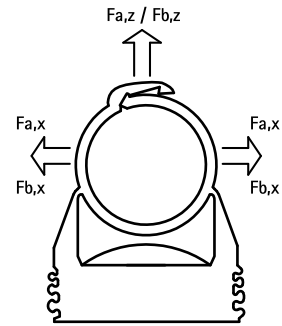
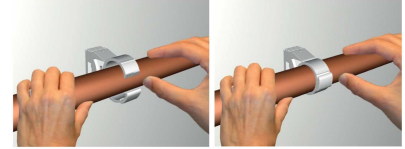
# starQuick® Clamp (Grey)

(C 05 05)

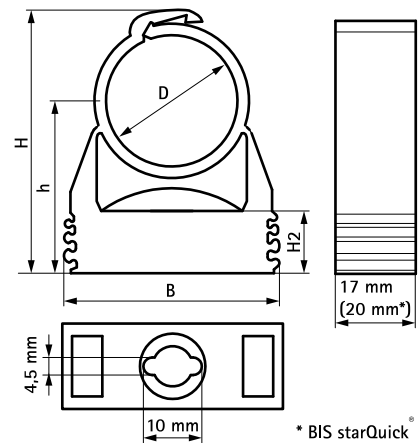
to fix pipes for electrical and mechanical installations to wall, floor or ceiling 10 - 65 mm



relieve the user of own testing of the end product due to the big number of parameter of influence in the mounting process and the application. A legal confirmed assurance of properties or the suitability for a specific application cannot be based on our specifications.



**kiwa**



\* BIS starQuick®  
Ø 59 - 65 mm