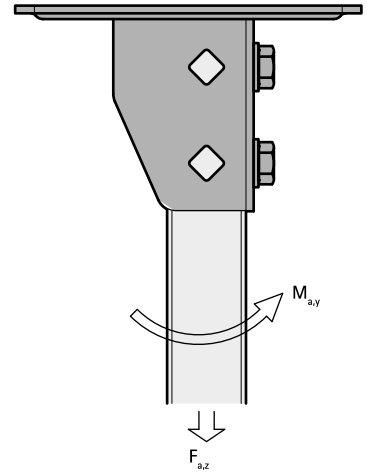


# Walraven RapidStrut® Base Plate G2 (BUP1000)

(H 12 03)



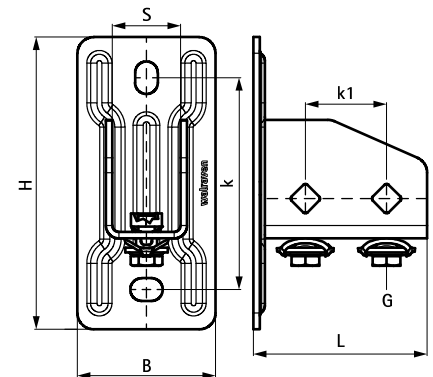
## Features and benefits

- flexible base plate for Strut channel
- suitable for all Strut channel up to 3-1/5"
- open side of strut 1-5/8"x1-5/8" can be turned to all sides
- at high loads we advise to install with throughbolts
- timesaving with pre-assembled fasteners
- material: metal parts made of steel 1.0332; spring(s) made of POM (polyoxymethylene), green
- surface protection:
  - product is part of the Walraven BIS UltraProtect® 1000 system
  - suitable for in and outdoor applications
  - stands min. 1,000 hours salt spray test (max. 5% red rust) according to ISO 9227
- tested for fire safety according to EN 1366-1



| Part No.  | G   | L      | L    | B    | B    | H    | H   | S    | k     | k    | k1   | k1  | F <sub>a,z</sub> | F <sub>a,z</sub> | F <sub>a,z</sub> | M <sub>a,y</sub> | Pack 1 |
|-----------|-----|--------|------|------|------|------|-----|------|-------|------|------|-----|------------------|------------------|------------------|------------------|--------|
|           |     |        | (°)  | (mm) | (°)  | (mm) | (°) | (°)  | (mm)  | (°)  | (mm) | (°) | (N)              | 2 (N)            | 2 (lbf)          | (Nm)             |        |
| 665885400 | M10 | 107 mm | 4.21 | 85   | 3.35 | 180  | 7   | 1.65 | 130.5 | 5.14 | 50   | 2   | 3,636            | 5,151            | 1157,99          | 485.0            | 10     |

*F<sub>0,z</sub>*: max. allowed load in combination with 2 slide nuts M10, tightened with 40 Nm.  
*F<sub>a,z</sub>*: max. allowed load in combination with 2 throughbolts M10, tightened with 40 Nm.  
*M<sub>0,y</sub>*: max. moment in combination with 2 throughbolts M10, tightened with 40 Nm.



## Complementary

Walraven RapidStrut® Fixing Rail DS 5 (BUP1000)