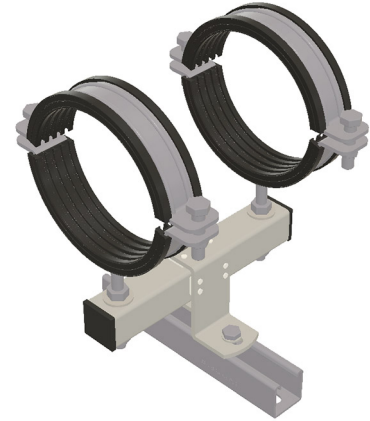
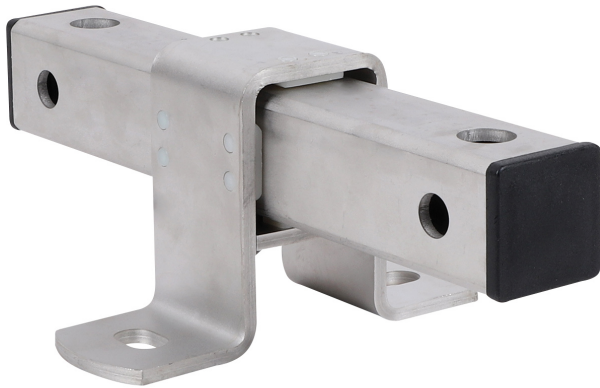


BIS Stainless Steel Expansion Guide Assembly

(M 19 10)

fixing with sliding assemblies



Features and benefits

- stable and safe double support for pipe expansion
- fix directly on the building structure or in combination with rail systems
- suitable for ceiling mounting (suspended) and floor mounting (standing mounted)
- tapped with different sized connecting holes (13/17 mm) on opposing faces
- can be combined with HD1501 or HD500 clamps
- material: metal parts made of stainless steel 1.4404 (A4) - EN 10088, AISI 316; sliding strips made of PE colour white, endcaps made of PE colour black

| Part No. | Type | G | L | L | B | B | H | H | b | b | s | s | d1 | d1 | k | k | k1 | k1 | SL (max.) | F _{az} | F _{az} | Pa ck 1 |
|----------|---------|------|-------------------|----------|---------|----------|------|----------|------|----------|------|----------|---------------|----------------------|---------|----------|---------|----------|--------------|-----------------|-----------------|---------------|
| | | | | (°) | (mm) | (°) | (mm) | (°) | (mm) | (°) | (mm) | (°) | (mm) | (°) | (mm) | (°) | (mm) | (°) | (°) | (N) | (lbf) | |
| 6667813 | FG 3 | 1/2" | 25 5 m m | 9.6 4 | 14 6 | 5.9 8 | 90 | 3.5 4 | 40 | 1.5 7 | 5.0 | 0.1 9 | 20 x 13 | 0.9 x 0.5 1 | 20 0 | 7.8 7 | 10 0 | 4.1 3 | 4.1 2 | 7,5 00 | 1,7 00 | 5 |

