

BIS RapidStrut® Hammerfix G2 (BUP1000)

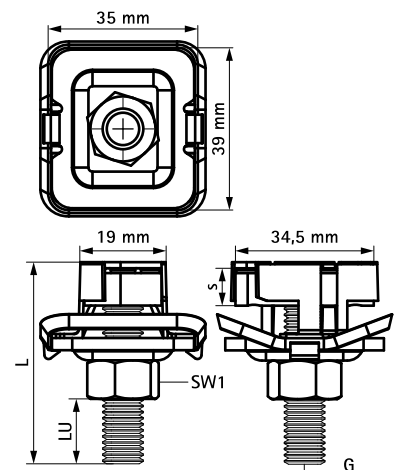
(H 24 204)



Features and benefits

- slide nut with stud bolt, U-shaped washer and BIS RapidStrut® spring
- ready-to-use pre-assembled for a quick fixing, and retains assembly in place before final tightening
- replaces tee-nut, washer and threaded rod with 1 piece assembly
- no need to measure and cut rod!
- material: metal parts made of steel 1.0332; spring(s) made of POM (polyoxymethylene), green
- conforms to MFMA Metal Framing Standards (Metal Framing Manufacturers Association)
- surface protection:
 - product is part of the Walraven BIS UltraProtect® 1000 system
 - suitable for in and outdoor applications
 - stands min. 1,000 hours salt spray test (max. 5% red rust) according to ISO 9227

Part No.	G	L	LU	s	SW1	For Rail	F _{az} (lbf)	Pack 1	Pack 2
SR6528005	3/8"	1 1/2"	1/2	1/4	3/8	Strut	1,686	15	150
SR6528007	3/8"	3"	2	1/4	3/8	Strut	1,686	10	100
SR6528011	3/8"	4"	3	1/4	3/8	Strut	1,686	50	100
SR6528016	3/8"	6"	5	1/4	3/8	Strut	1,686	5	100



Complementary

Walraven RapidStrut® Fixing Rail DS 5
(BUP1000)