

Walraven Yeti® 280 Support System

(1 04 30)

for Rooftop Installations



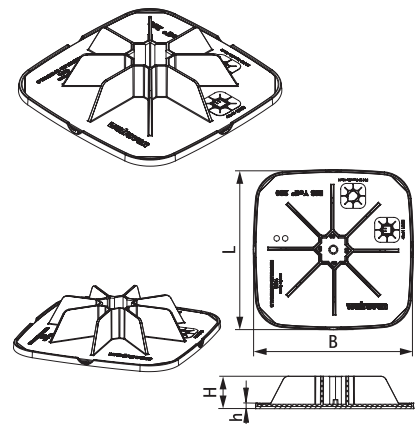
Features and benefits

- modular supporting system for HVAC equipment, solar panels, walkways, pipe work, cable runs, etc.
- for flat roofs
- for vertical rail adaption (RapidStrut 41x41)
- with non-slip anti-vibration mat
- mouldings made of WPC, a composite of recycled plastic and wood fibre
- plastic components made from 100% recycled material
- noise reduction according to DIN EN ISO 10140-1 and DIN EN ISO 10140-3
- UV-resistance according to EN ISO 16474-3:2014-02 - certified by ITB



ITB No.
LZM00-02259

Part No.	Model	L	B	H	h	F _{a,z}	Pack 1
			(mm)	(mm)	(mm)	(N)	
67685280	BIS Yeti® 280 including mat	284 mm	284	58	8	12,500*	12
<p>* = Maximum allowed load for Strut 41x41x2.5. For a detailed calculation and for support how to spread the load please contact Walraven Technical Support. In cases where a foot is used in roof applications, the installer is obliged to verify maximum load capacity of roof before installation.</p>							



Complementary

Walraven Yeti® Triplex Separation Layer
 Walraven RapidStrut® Fixing Rail
 (BUP1000)