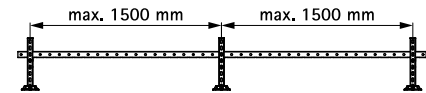
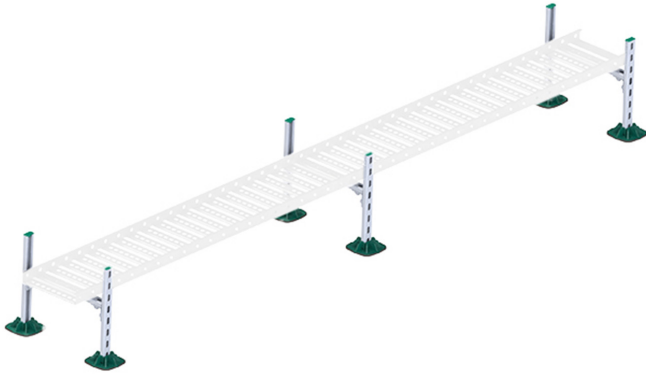


Walraven Yeti® 130 Cable Tray Set (BUP1000)

(10454)

for installation of cable runs on roofs



Features and benefits

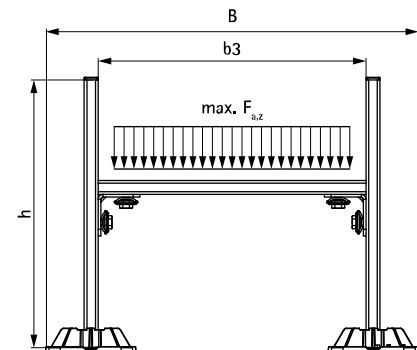
- complete set for cable run installations on the roof
- flexible and cost-effective solution
- also possible to use for pipes or small air duct channels
- with non-slip anti-vibration mat
- predefined load capacity: calculation not necessary
- mouldings made of WPC, a composite of recycled plastic and wood fibre
- plastic components made from 100% recycled material
- resistant to UV and chemical influences
- UV-resistance according to EN ISO 16474-3:2014-02 - certified by ITB
- surface protection:
 - product is part of the Walraven BIS UltraProtect® 1000 system
 - suitable for in- and outdoor applications
 - stands min. 1,000 hours salt spray test (max. 5% red rust) according to ISO 9227
- sound reduction
- Part No. 67685534 consisting of:
 - 6 x BIS Yeti® 130 including non-slip anti-vibration mat (made of rubber)
 - 9 x 0.4 m BIS RapidStrut® Fixing Rail 41x21 (BUP1000), cut to length and deburred
 - 6 x BIS RapidStrut® 90° Connector, pre-assembled ready to use
 - 6 x BIS RapidStrut® Endcaps



ITB No.
LZM00-02259

Part No.	Model	B (mm)	b3 (mm)	h (mm)	F _{a,z} (N)	Pack 1
67685534	BIS Yeti® 130 Cable Tray Set 400	551	400	400	1,500	1

Maximum load (F_{a,z}) depends on the load capacity of the trapezium shaped roofing sheet. Before mounting, the roof load capacity has to be confirmed by a structural engineer. If changes to the mounting parameters is necessary then please contact Walraven Technical Department.



Complementary

- Walraven Strut T-shape Base Plate (BUP1000)
- Walraven RapidStrut® Fixing Rail (BUP1000)
- Walraven Strut Connector 90° (BUP1000)

Complementary

- Walraven Yeti® Triplex Separation Layer