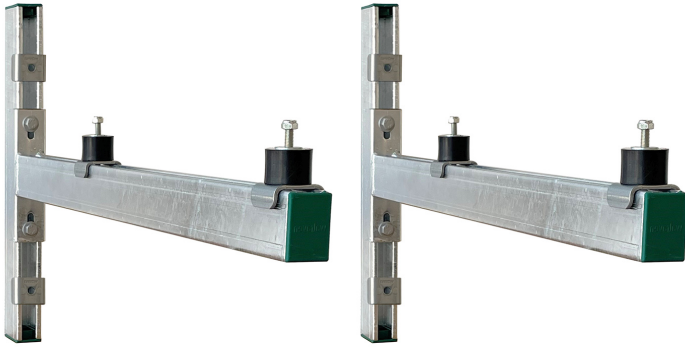


Walraven Wall Mounting Set 62|H

(H 19 20)

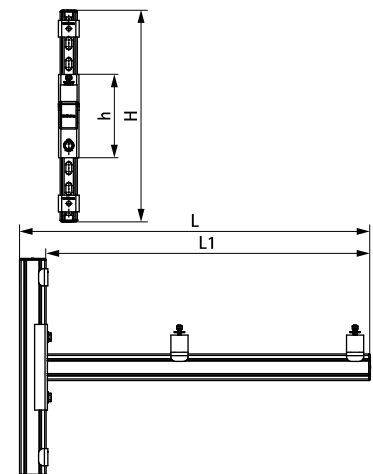
universal Mounting Set for outdoor appliances



Features and benefits

- suitable for indoor and outdoor use
- universal mounting brackets for fixing indoor and outdoor appliances to the wall
- designed for the most common standard heat pumps (for heat pump models with female thread, Walraven Wall Mounting ISO Kit 6901998 needs to be ordered separately - see assembly instruction)
- stepless adjustable in height and wall distance
- with anti-vibration mounts type Walraven VibraTek® SB-MM
- material: steel 1.0332
- material: vibration damper; rubber SBR + NR 55°+-5 Shore A steel class 4.8
- surface treatment: hot dip galvanized (EN-ISO 1461)
- set consists of:
 - 2 Cantilever Arms type RapidStrut 62|H
 - 2 lengths of 500mm wall rail type RapidStrut 62|H
 - 4 vibration dampers with pre-assembled fasteners
 - 6 rail endcaps
 - fasteners to connect Cantilever Arms to the wall rail
 - assembly instruction
 - anchors for mounting to the wall not included (order separately)

Part No.	Type	L	L1 (mm)	H (mm)	h (mm)	F _{a,z} (N)	Pack 1	App.
6901975	62 H	819 mm	750	508	200	1.200	1	pc.
Max. allowed load F _{a,z} per Set: 1.200 Newton (Total weight of the unit).								



Complementary

Walraven Wall Mounting ISO Kit