

Walraven VibraTek[®] MS-4 Spring Mount

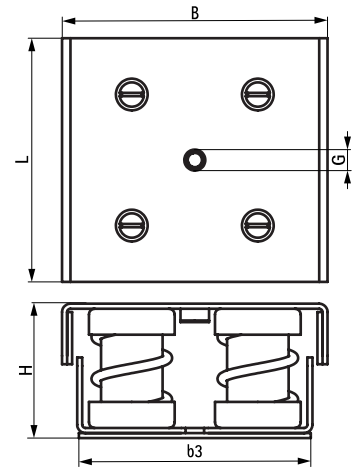
(L2 05 15)

high performance spring isolator for heavy machinery



Features and benefits

- recommended for equipment with low working speeds, from 600 rpm and above
- epoxy powder-coated base, caps and springs provide increased resistance to corrosion
- flexible internal filler prevents debris and solid elements entering and damaging the spring under load
- Technical Data
 - average ratio $K_x / K_z = K_y / K_z = 2.0$
 - working temperature range -90 °C till 150 °C
- ribs in the metal base provide increased stiffness
- slot holes facilitate positioning and anchoring to the base material



Part No.	G	L	B	b3	H	Min. Load (N)	Max. Load (N)	Min. Optimal Load (N)	Max. Optimal Load (N)	Max. Deflection (mm)	Pack 1
2800501000	M10	145 mm	158	140	80	100	1,000	200	900	23.0	5
2800501500	M10	145 mm	158	140	80	130	1,500	260	1,350	23.0	5
2800502000	M10	145 mm	158	140	80	200	2,000	400	1,800	23.0	5
2800503000	M10	145 mm	158	140	80	300	3,000	700	2,700	23.0	5
2800504000	M10	145 mm	158	140	80	400	4,000	800	3,600	23.0	5
2800505000	M10	145 mm	158	140	80	500	5,000	1,000	4,500	23.0	5

See Product Data Sheet for further technical information.