

Walraven VibraTek® MR-L 8000/M16

Rubber Levelling Mount

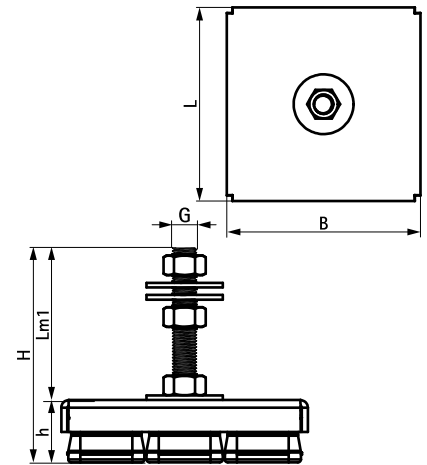
(L2 05 27)

rubber mount with M16 connection for equipment isolation and levelling



Features and benefits

- recommended for machinery with working speeds above 2500 RPM, providing a degree of vibration insulation from 75% to 80%
- simple to install and does not need to be fixed to the supporting structure
- working temperature range -20 °C till 90 °C
- rubber isolator with DIN 934 nuts and DIN 9012 washers included in delivery for mounting and levelling equipment
- metal and rubber parts can be separated for recycling
- hardness 45 shore A



| Part No. | G | L | B | H | h | Lm1 | Min. Load | Max. Load | Min. Optimal Load | Max. Optimal Load | Max. Deflection | Pack 1 |
|------------|-----|--------|------|------|------|------|-----------|-----------|-------------------|-------------------|-----------------|--------|
| | | | (mm) | (mm) | (mm) | (mm) | (N) | (N) | (N) | (N) | (mm) | |
| 2800108000 | M16 | 162 mm | 162 | 141 | 41 | 100 | 500 | 8,000 | 1,000 | 7,500 | 7.5 | 6 |

See Product Data Sheet for further technical information.