

# Walraven VibraTek® MR-L 3000/M10

## Rubber Levelling Mount

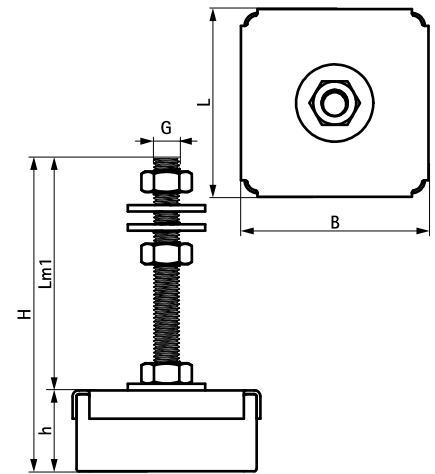
(L2 05 21)

rubber mount with M10 connection for equipment isolation and levelling



### Features and benefits

- recommended for machinery with working speeds above 2500 RPM, providing a degree of vibration insulation from 75% to 80%
- simple to install and does not need to be fixed to the supporting structure
- working temperature range -20 °C till 90 °C
- rubber isolator with DIN 934 nuts and DIN 9012 washers included in delivery for mounting and levelling equipment
- metal and rubber parts can be separated for recycling
- hardness 45 shore A



| Part No.  | G   | L     | B    | H     | h    | Lm1  | Min. Load | Max. Load | Min. Optimal Load | Max. Optimal Load | Max. Deflection | Pack 1 |
|---|-----|-------|------|-------|------|------|-----------|-----------|-------------------|-------------------|-----------------|--------|
|   |     |       | (mm) | (mm)  | (mm) | (mm) | (N)       | (N)       | (N)               | (N)               | (mm)            |        |
| 2800103000  | M10 | 73 mm | 73   | 121.5 | 31.5 | 90   | 20        | 3,000     | 100               | 2,500             | 7.5             | 50     |
| See Product Data Sheet for further technical information. |     |       |      |       |      |      |           |           |                   |                   |                 |        |