

# Walraven VibraTek® MR-B Rubber Mount

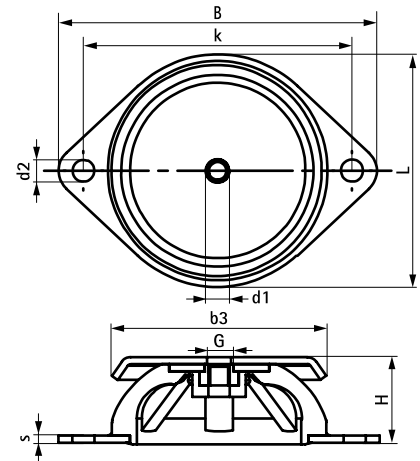
(L2 05 30)

bell-shaped elastomer isolator for isolation of equipment and machinery



## Features and benefits

- recommended for machinery with working speeds above 2500 RPM, providing a degree of vibration insulation from 75% to 80%
- working temperature range -20 °C till 90 °C
- ideally suited for machinery with radial vibration (as opposed to axial) and prone to sudden or pronounced starts and stops)
- metal and rubber parts can be separated for recycling



Part No.	G	L	B	b3	H	s	d1	d2	k	Min. Load (N)	Max. Load (N)	Min. Optimal Load (N)	Max. Optimal Load (N)	Max. Deflection (mm)	Pack 1
2801800240	M6	66 mm	90	60	24	2	6.7	6.2	76	25	240	50	225	3.5	100
2801800750	M8	86 mm	120	80	27	3	8.2	8.2	100	50	750	130	700	4.0	50
2801801500	M10	106 mm	148	100	28	3	11	10.2	124	100	1,500	150	1,400	5.5	25

See Product Data Sheet for further technical information.