

Walraven VibraTek® HS-1 Spring Hanger

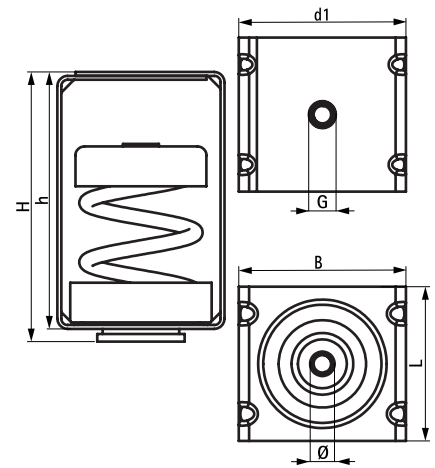
(L2 05 39)

high performance spring isolator for light suspended loads



Features and benefits

- simple to install and does not need to be fixed to the base material
- recommended for machinery with low working speeds above 700 RPM
- epoxy powder-coated housing, cap and spring provide increased resistance to corrosion
- working temperature range -90 °C till 150 °C
- rubber spring base cup prevents contact between housing and the spring



Part No.	G	L	B	H	h	d1	Ø	Min. Load (N)	Max. Load (N)	Min. Optimal Load (N)	Max. Optimal Load (N)	Max. Deflection (mm)	Pack 1
2800600050	M8	60 mm	65	105	100	Ø 10.5	24	5	50	10	45	23.0	36
2800600150	M8	60 mm	65	105	100	Ø 10.5	24	20	150	30	140	23.0	36
2800600250	M8	60 mm	65	105	100	Ø 10.5	24	30	250	50	230	23.0	36
2800600500	M8	60 mm	65	105	100	Ø 10.5	24	50	500	100	450	23.0	36
2800600750	M8	60 mm	65	105	100	Ø 10.5	24	80	750	150	690	23.0	36
2800601000	M8	60 mm	65	105	100	Ø 10.5	24	100	1,000	200	920	23.0	36

See Product Data Sheet for further technical information.