

Walraven VibraTek® HR-1 Rubber Hanger

(L2 05 45)

rubber hanger for isolation of suspended ventilation and AC systems



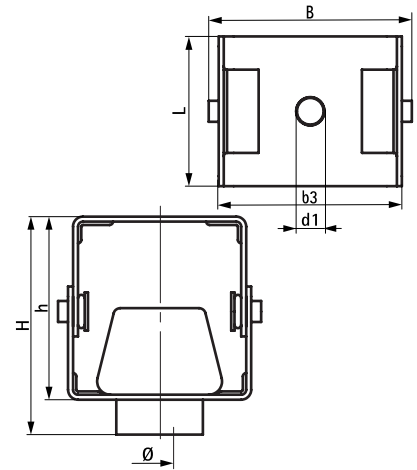
2800800300



2800800450

Features and benefits

- small footprint allows placement in compact spaces
- simple to install and adaptable to a sloping roof or ceiling, part of the metal housing swivels
- hardness 45 / 50 shore A
- zinc plated
- working temperature range -20 °C till 90 °C



Part No.	L	B	b3	H	h	d1	Ø	Colour	Min. Load	Max. Load	Min. Optimal Load	Max. Optimal Load	Max. Deflection	Pack 1
		(mm)	(mm)	(mm)	(mm)	(mm)	(mm)		(N)	(N)	(N)	(N)	(mm)	
2800800300	45 mm	61	55	65.5	55	Ø 8,5	8	Grey	5	300	5	250	7.0	100
2800800450	45 mm	61	55	65.5	55	Ø 8,5	8	Black	10	450	10	400	7.0	100

See Product Data Sheet for further technical information.