

Walraven U-Clamp

for steel pipes 17,2 - 273,0 mm

(B 10 25)

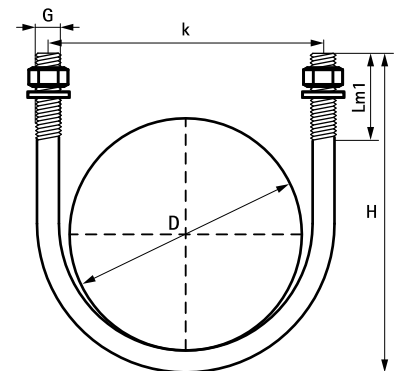


Features and benefits

- U-clamp with thread
- including nuts and washers
- material: steel
- zinc plated

Part No.	D (mm)	D (")	DN	G	H (mm)	Lm1 (mm)	k (mm)	Pack 1
2084306017	17,2	3/8	10	M6	42	19	24	100
2084306021	21,5	1/2	15	M6	48	25	28	100
2084306027	26,9	3/4	20	M6	63	30	35	50
2084306034	33,7	1	25	M6	71	30	42	50
2084308027	26,9	3/4	20	M8	63	30	35	100
2084308034	33,7	1	25	M8	71	30	42	100
2084308042	42,4	1 1/4	32	M8	79	30	51	100
2084308049	48,3	1 1/2	40	M8	80	30	57	100
2084308060	60,3	2	50	M8	92	30	69	25
2084308076	76,1	2 1/2	65	M8	108	30	85	25
2084310090	88,9	3	80	M10	131	40	99	25
2084310114	114,3	4	100	M10	167	50	127	25
2084310140	140,0	5	125	M10	188	55		20
2084310168	168,0	6	150	M10	215	55		20
2084310220	220,0	8	200	M10	268	55		20
2084312140	139,7	5	125	M12	191	50	152	25
2084314168	168,3	6	150	M14	219	50	180	10
2084316219	219,1	8	200	M16	282	60	236	10
2084316273	273,0	10	250	M16	336	60	290	10

Also available in stainless steel.



Alternative

BIS Stainless Steel U-Clamp
Walraven U-Clamp (long)