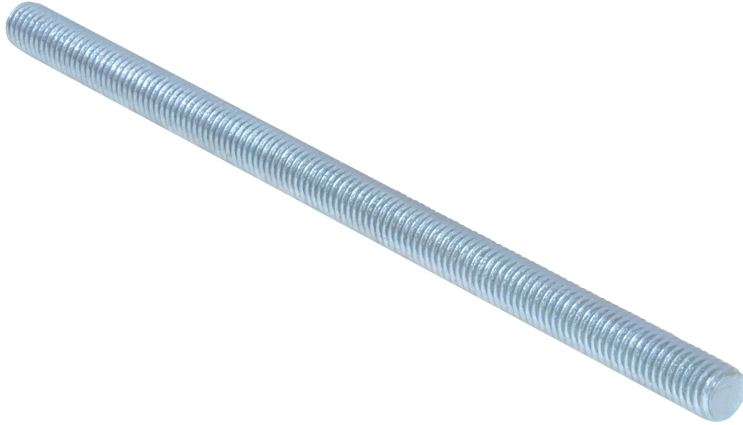


Walraven Threaded Rod

(K 55 10)

fixing to rail, wall plates, etc.



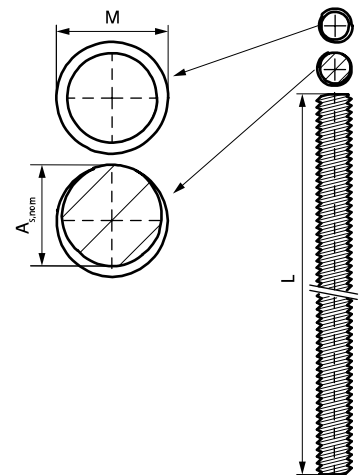
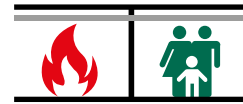
Features and benefits

- according to DIN 976-1
- material: steel, strength class 4.8
- zinc plated

| Part No. | Type | Thread (M) | L | A _{s,nom} (mm ²) | F _{a,z} (N) | BndS |
|----------|-----------|------------|-----|--|-------------------------|------|
| 6303006 | DIN 976-1 | M6 | 1 m | 20.1 | 5,300 | 100 |
| 6303206 | DIN 976-1 | M6 | 2 m | 20.1 | 5,300 | 50 |
| 6303306 | DIN 976-1 | M6 | 3 m | 20.1 | 5,300 | 50 |
| 6303008 | DIN 976-1 | M8 | 1 m | 36.6 | 9,700 | 50 |
| 6303208 | DIN 976-1 | M8 | 2 m | 36.6 | 9,700 | 25 |
| 6303308 | DIN 976-1 | M8 | 3 m | 36.6 | 9,700 | 25 |
| 6303010 | DIN 976-1 | M10 | 1 m | 58.0 | 15,400 | 25 |
| 6303210 | DIN 976-1 | M10 | 2 m | 58.0 | 15,400 | 20 |
| 6303310 | DIN 976-1 | M10 | 3 m | 58.0 | 15,400 | 20 |
| 6303012 | DIN 976-1 | M12 | 1 m | 84.3 | 22,400 | 20 |
| 6303212 | DIN 976-1 | M12 | 2 m | 84.3 | 22,400 | 15 |
| 6303312 | DIN 976-1 | M12 | 3 m | 84.3 | 22,400 | 15 |
| 6303014 | DIN 976-1 | M14 | 1 m | 114.0 | 30,400 | 10 |
| 6303016 | DIN 976-1 | M16 | 1 m | 157.0 | 41,800 | 10 |
| 6303216 | DIN 976-1 | M16 | 2 m | 157.0 | 41,800 | 10 |
| 6303316 | DIN 976-1 | M16 | 3 m | 157.0 | 41,800 | - |
| 6303020 | DIN 976-1 | M20 | 1 m | 245.0 | 65,300 | 5 |
| 6303024 | DIN 976-1 | M24 | 1 m | 353.0 | 94,100 | 5 |

M10 tested for fire safety according to EN 1366-1.

M12 tested for fire safety according to EN 1366-1.



Complementary

Walraven Stud Connector
BIS dB-FIX® 80 Stand-off Fixing Kit