

Walraven Strut Square Slide Nut (BUP1000)

(H 24 32)

fixing to Strut rail



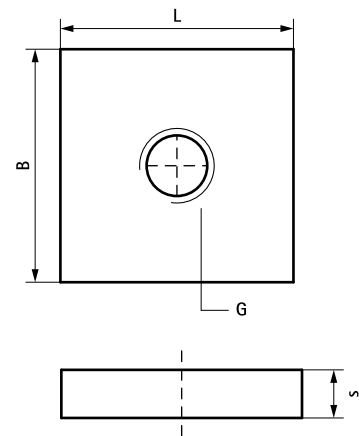
Features and benefits

- material: steel 1.0332
- surface protection:
 - product is part of the Walraven BIS UltraProtect® 1000 system
 - suitable for in- and outdoor applications
 - stands min. 1,000 hours salt spray test (max. 5% red rust) according to ISO 9227
- tested for fire safety



Part No.	G	L	B (mm)	s (mm)	For Rail	F _{a,z} (N)	F _{a,z 2} (N)	Pack 1	Pack 2
65178016	M16	35 mm	35	10	Strut	5.000	15.000	50	250

F_{a,z 2} tested in profile 41x62x2,5 with BIS Strut Washers - U-shaped, art.nr. 66588016.



Complementary

- Walraven RapidStrut® Channel DS 5 (BUP1000)
- BIS Heavy Duty Clamp HD1501 (BUP1000)
- Walraven Heavy Duty Clamp HD500 (BUP1000)

Alternative

- Walraven RapidStrut® Slide Nut G2 (BUP1000)
- Walraven RapidStrut® Slide Nut with Plastic Tabs (BUP1000)
- Walraven Strut Slide Nut (BUP1000)