

Walraven Strut Slide Nut (zp)

(H 24 20)

fixing to Strut rail

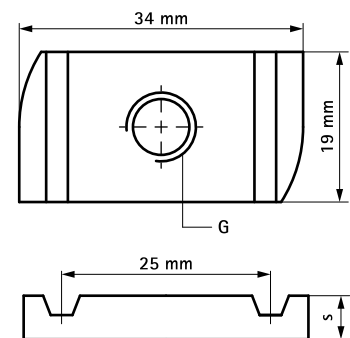


Features and benefits

- material: steel 1.0332
- zinc plated
- tested for fire safety

Part No.	G	L	s (mm)	T _(inst.) (Nm)	For Rail	F _{a,z} (N)	F _{a,x} (N)	Pack 1	Pack 2
6517006	M6	-	5.0	7.0	Strut	2,660	950	100	600
6517008	M8	-	6.0	25.0	Strut	4,500	2,200	100	600
6517010	M10	-	9.0	40.0	Strut	5,000	2,550	100	600
6517012	M12	-	9.0	50.0	Strut	5,000	2,950	100	600

M10 tested for fire safety according to EN 1366-1.
M12 tested for fire safety according to EN 1366-1.
Tested values in combination with BIS RapidStrut® Rail 41x41x2.5mm.
More details can be found on the Technical Datasheet.



Complementary

Walraven RapidStrut® Fixing Rail (pg)

Alternative

Walraven RapidStrut® Slide Nut with Plastic Tabs (zp)
Walraven Strut Slide Nut (BUP1000)