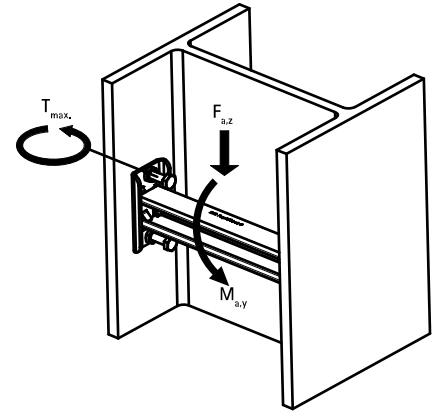
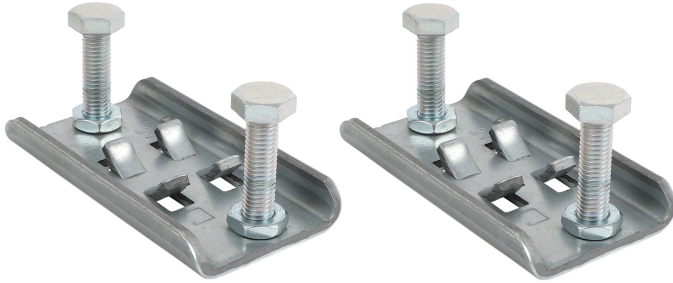


Walraven Strut Inter Flange Clamp

(H 36 50)

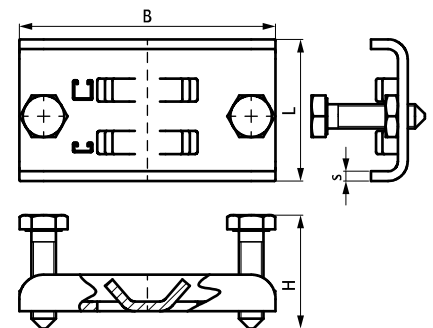
fixing to steel beam



Features and benefits

- set of two clamping plates, to be installed in combination with Strut Rail
- for connecting installation between the flanges of I- or U-profile steelwork without drilling or welding
- material: clamp made of steel 1.0242 (S250GD); hexagon head bolts M10x40 with tip: steel class 8.8 (EN-ISO 898-1); hexagon thin nuts M10 DIN 439-B: steel class 04 (EM-ISO 898-2)
- clamp: ZM310-MAC (pre-galvanized); fasteners: zinc plated ISO 2081-Fe/Zn5/A (EN ISO 2081:2008)

Part No.	L	B	H	s	T _(inst.)	For Rail	F _{a,z}	M _{a,y}	Pack 1	Pack 2
		(mm)	(mm)	(mm)	(Nm)		(N)	(Nm)		
6078031	58	105	46	4	25.0	Strut 41x21 + 41x41	2,100	75.0	1	10



Complementary

- Walraven RapidStrut® Fixing Rail (pg)
- Walraven RapidStrut® Slide Nut G2 (BUP1000)
- Walraven RapidStrut® Hammerfix G2 (BUP1000)