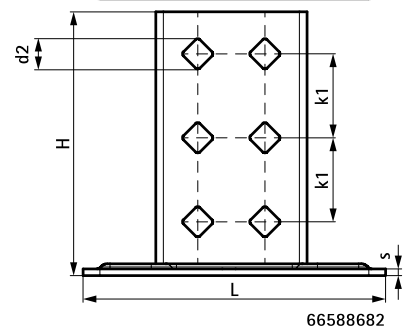
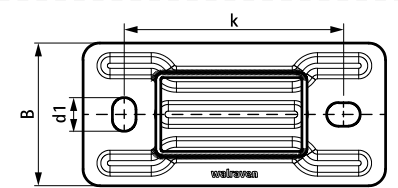
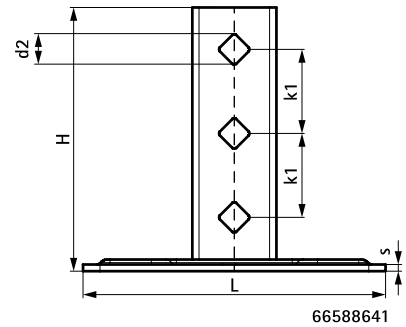
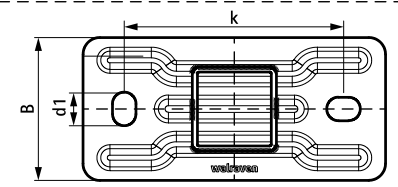
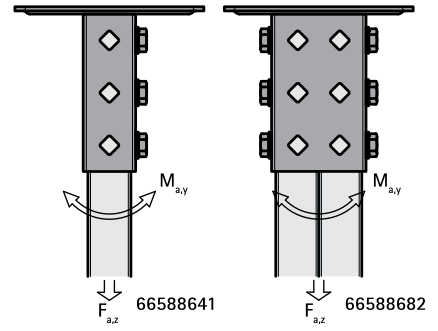


Walraven Strut Base Plate Heavy Duty (BUP1000)

(H 12 13)



Features and benefits

- heavy base plate for Strut rails
- can be used together with slide nut with plastic tabs or throughbolts
- Part No. 66588641: for Rail Strut 41x41 + 41x21D
- Part No. 66588682: for Rail Strut 41x82 + 41x41D
- hole pattern is adapted to the hole pattern of Strut rails
- closed profile for increased structural strength
- material: steel 1.0332
- surface protection:
 - product is part of the Walraven BIS UltraProtect® 1000 system
 - suitable for in- and outdoor applications
 - stands min. 1,000 hours salt spray test (max. 5% red rust) according to ISO 9227

Part No.	L	B	H	s	d1	d2	k	k1	F _{a,z}	F _{a,z 2}	M _{a,y}	Pack 1
		(mm)	(mm)	(mm)	(mm)	(mm)	(mm)	(mm)	(N)	(N)	(Nm)	
66588641	180 mm	85	157	4.0	20 x 14	13.8	130	50	4,242	5,303	258.0	10
66588682	180 mm	85	157	4.0	20 x 14	13.8	130	50	7,273	10,303	606.0	5

Part No. 66588641: F_{a,z}: max. allowed load in combination with 3 slide nuts M10, tightened with 40 Nm.
 Part No. 66588682: F_{a,z}: max. allowed load in combination with 6 slide nuts M10, tightened with 40 Nm.
 F_{a,z 2}: max. allowed load in combination with 2 throughbolts M10, tightened with 40 Nm.
 M_{a,y}: max. moment in combination with 2 throughbolts M10, tightened with 40 Nm.

Complementary

- Walraven RapidStrut® Fixing Rail (BUP1000)
- Walraven RapidStrut® Slide Nut with Plastic Tabs (BUP1000)
- Walraven Washer (Flat) (BUP1000)

Complementary

- BIS Hexagon Head Bolt (BUP1000)
- WTB1 Throughbolt Anchor
- Walraven RapidStrut® Fixing Rail Double (pg)

Alternative

- Walraven RapidStrut® Base Plate G2 (BUP1000)