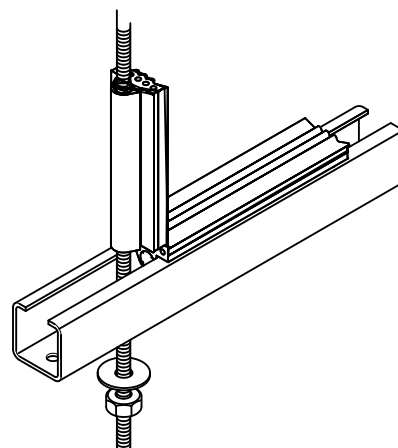


Walraven Rubber Strip

(G 45 10)

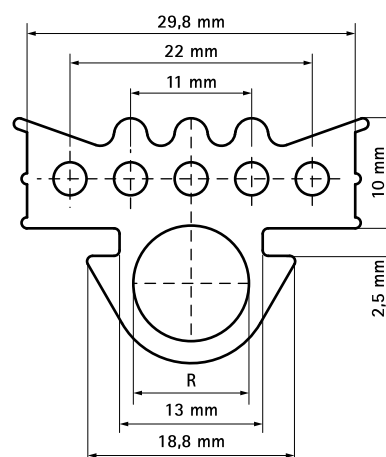
noise insulation lining for rail



Features and benefits

- noise insulating lining for rail
- also usable for threaded rod M6, M8 or M10
- suitable for rail 27x18, 30x15, 30x20, 30x30, 30x45, 38x40
- chlorine free and resistant to ageing
- resistant to ozone, UV, weather and sea water
- shore A hardness 55 ±5
- building material class B2 according to DIN 4102-1 and class E according to EN 13501-1
- temperature resistance from -30 °C to +110 °C
- sound insulating lining according DIN 4109
- material: EPDM rubber, black

Part No.	R	L	For Rail	Pack 1	App.
6568001	M6 - M10	30 m	27x18, 30x15, 30x20, 30x30, 30x45, 38x40	30	m.



Complementary

Walraven RapidRail® Fixing Rail
Walraven RapidRail® Cantilever Arm