

# Walraven Rooftop Anchor

(104 19)

for Rooftop Installations



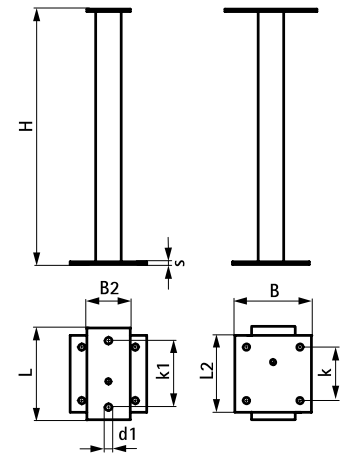
67685410

67685411



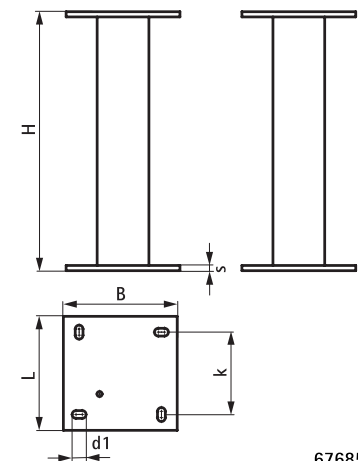
## Features and benefits

- to connect rooftop installations with the building structure
- as fixpoint construction when required
- the inside of the mounting base must be filled with weatherproof expanding foam on site to avoid thermal bridges
- 67685410 to be used in combination with BIS RapidStrut® Base Plates (665885400 / 66583804)
- 67685411 to be used in combination with Maxx Base Plates (6581820 / 6581821)
- material: steel S235JR



67685410

Part No.	L	L2 (mm)	B (mm)	B2 (mm)	H (mm)	s (mm)	d1 (mm)	k (mm)	k1 (mm)	From rail
67685410	180 mm	150 mm	150	85	500	5	13	105	130	50x50x4
67685411	220 mm	-	220	-	500	10	27x15	159	-	100x100x4



67685411

### Complementary

- Walraven RapidStrut® Base Plate G2 (BUP1000)
- Walraven RapidStrut® Fixing Rail (BUP1000)
- Walraven Yeti® 480 Support System

### Complementary

- Walraven Yeti® 335 Support System
- Walraven Maxx Base Plate
- Walraven Maxx Profile Connector 90°