

# Walraven RapidStrut® Rail Connector 90° G2 (BUP1000)

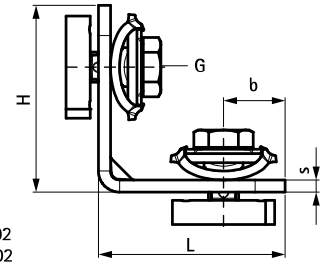
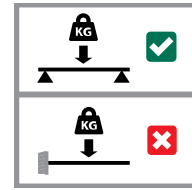
(H 28 04)



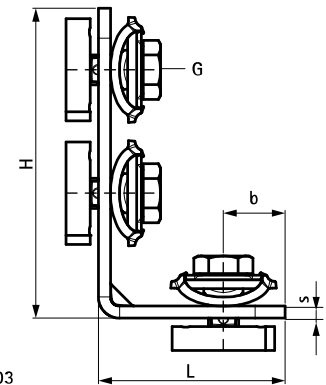
## Features and benefits

- connector with pre-assembled BIS RapidStrut® Slide nut(s)
- to make fabrication with Strut Rail
- ready-to-use pre-assembled for a quick fixing, and retains assembly in place before final tightening
- 'Direct Twist' technology for easy and secure installation
- visual guide to check the position of the slide nut
- Part No. 66588520X: optimized for easy installation with electrical tools
- material: metal parts made of steel 1.0332; spring(s) made of POM (polyoxymethylene), green
- surface protection:
  - product is part of the Walraven BIS UltraProtect® 1000 system
  - suitable for in- and outdoor applications
  - stands min. 1,000 hours salt spray test (max. 5% red rust) according to ISO 9227

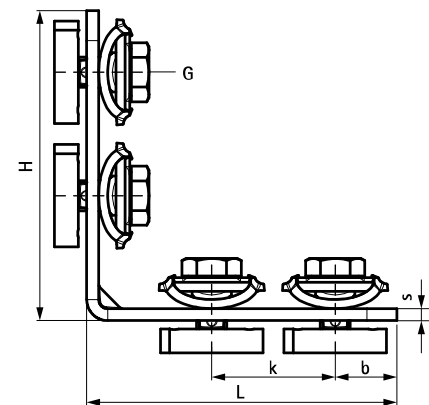
Part No.	Thread (M)	L	H	b	s	k	a	T <sub>(inst.)</sub>	For Rail	Pack 1
			(mm)	(mm)	(mm)	(mm)	(°)	(Nm)		
665885102	M10	42 mm	62	20.5	4	-	90°	40.0	Strut	50
665885202	M10	62 mm	62	20.5	4	-	90°	40.0	Strut	50
665885203	M10	62 mm	103	20.5	4	41	90°	40.0	Strut	25
665885205	M10	103 mm	103	20.5	4	41	90°	40.0	Strut	20



665885102  
665885202



665885203



665885205

## Complementary

Walraven RapidStrut® Fixing Rail DS 5  
(BUP1000)