

Walraven RapidStrut® Fixing Rail (BUP1000)

(H 04 13)

for medium weight fixing applications

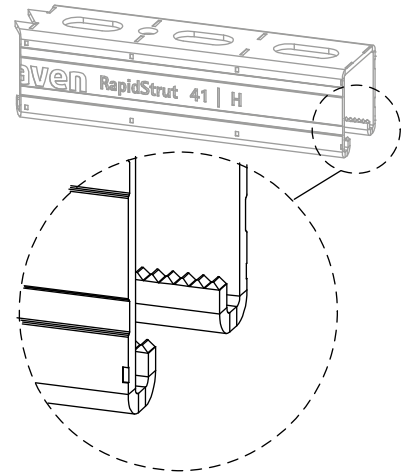


65018627

65018647

65018667

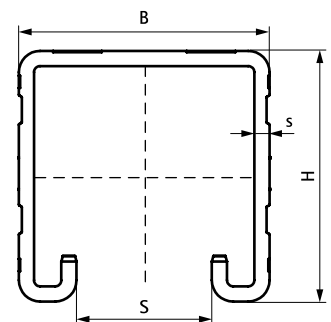
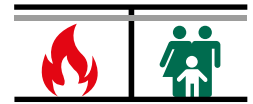
65018687



Features and benefits

- universal rail system
- corrosion protection remains intact after cutting
- distance between rail end and first hole is always equal
- inward formed flanges with serrated profile for extra grip
- with continuous smart hole pattern including round anchor holes
- with sawing marks each 50 mm on all 3 sides of the profile
- surface protection:
 - product is part of the Walraven BIS UltraProtect® 1000 system
 - suitable for in- and outdoor applications
 - stands min. 1,000 hours salt spray test (max. 5% red rust) according to ISO 9227
- strut 41x41x2.5 and above tested for fire safety according to EN 1363-1
- Walraven RapidStrut® C-profil skinneresystemer (type 21 | L, 21 | H, 41 | L, 41 | H) i overensstemmelse med BS 6946: 1988, den britiske standardspecifikation for stålskanal kabelstøttesystemer til elektriske installationer

■ material: steel 1.0242 (S250GD)



Complementary

Walraven RapidStrut® Slide Nut G2 (BUP1000)
Walraven RapidStrut® Hammerfix G2 (BUP1000)
Walraven Yeti® 130 Support System

Complementary

Walraven Yeti® 280 Support System

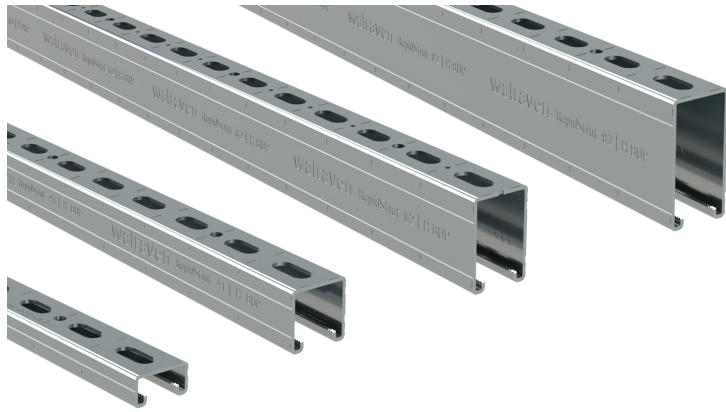
Alternative

Walraven RapidStrut® Fixing Rail DS 5 (BUP1000)

Walraven RapidStrut® Fixing Rail (BUP1000)

(H 04 13)

for medium weight fixing applications

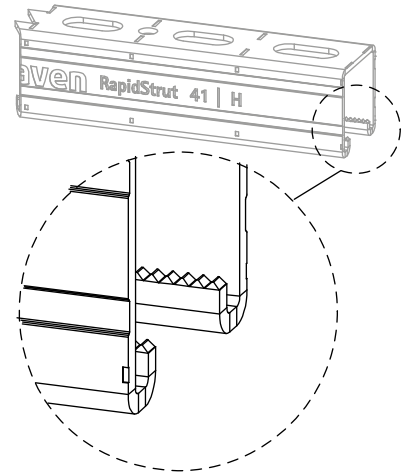


65018627

65018647

65018667

65018687



65018387	82 H	3 m	41	82	2.50	22	-	30	90	m.	
65018687	82 H	6 m	41	82	2.50	22	-	60	180	m.	
65018640	41 H	6 m	41	41	2.50	22	-	60	300	m.	*

RAL¹ = tested, certified and monitored by a third party according to RAL-GZ 655/C.
Strut 41x41x2.5 and above tested for fire safety according to EN 1363-1.

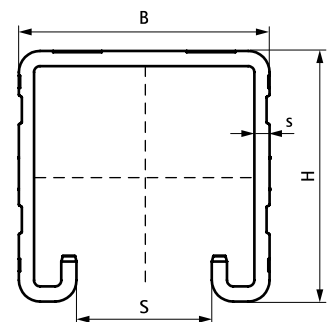
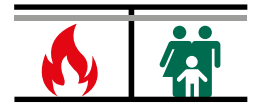
* Unslotted

For detailed technical information about our RAL marked products, please see the RAL datasheet in our web catalogue.

For more information about the max. allowed load ($F_{0,2}$) please refer to the loading tables or our online datasheet 'Walraven RapidStrut® Data Sheet'.



RAL-GZ 655/C
Cert.Nr. 2015-02



Complementary

Walraven RapidStrut® Slide Nut G2 (BUP1000)
Walraven RapidStrut® Hammerfix G2 (BUP1000)
Walraven Yeti® 130 Support System

Complementary

Walraven Yeti® 280 Support System

Alternative

Walraven RapidStrut® Fixing Rail DS 5 (BUP1000)