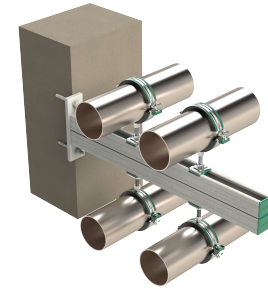


Walraven RapidStrut® Cantilever Arm 41x41D (BUP1000)

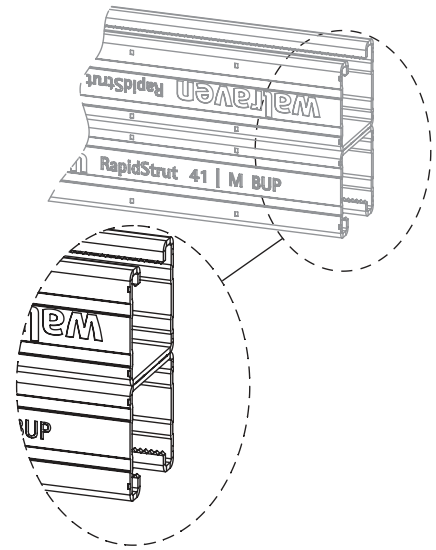
(H 08 12)

fixing to wall, floor or ceiling



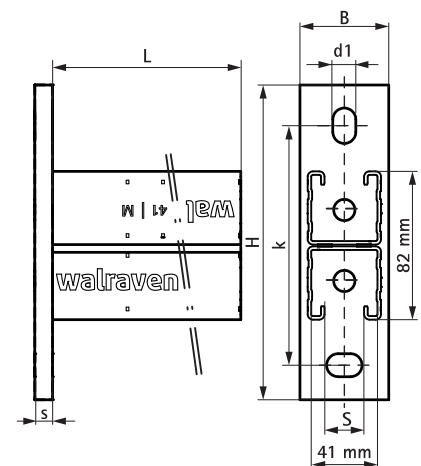
Features and benefits

- base plate with welded C-profile
- for quick and adjustable fixing of one or multiple pipes
- CO₂ welded
- with continuous perforation
- with sawing marks each 50 mm
- well balanced relation between base plate and profile for optimal use of load performance
- material: profiles made of steel 1.0038 (S235JR)
- material: base plate made of steel 1.0044 (S275JR)
- surface protection:
 - product is part of the Walraven BIS UltraProtect® 1000 system
 - suitable for in- and outdoor applications
 - stands min. 1,000 hours salt spray test (max. 5% red rust) according to ISO 9227
- for more information about the max. allowed load ($F_{a,z}$) please refer to the loading tables or our online datasheet 'Walraven RapidStrut® Data Sheet'



| Part No. | L | B | H | s1 | d1 | S | k | From rail | Pack 1 | App. |
|----------|----------|------|--------|------|---------|------|------|-----------------|--------|------|
| | | (mm) | (mm) | (mm) | (mm) | (mm) | (mm) | | | |
| 66088240 | 400 mm | 50 | 177,50 | 10,0 | 20 x 13 | 22 | 135 | RapidStrut 41 M | 8 | pc. |
| 66088260 | 600 mm | 50 | 177,50 | 10,0 | 20 x 13 | 22 | 135 | RapidStrut 41 M | 4 | pc. |
| 66088280 | 800 mm | 50 | 177,50 | 10,0 | 20 x 13 | 22 | 135 | RapidStrut 41 M | - | pc. |
| 66088298 | 1.000 mm | 50 | 177,50 | 10,0 | 20 x 13 | 22 | 135 | RapidStrut 41 M | - | pc. |

For more information about the max. allowed load ($F_{a,z}$) please refer to the loading tables or our online datasheet 'Walraven RapidStrut® Data Sheet'.



Complementary

- Walraven RapidStrut® Slide Nut G2 (BUP1000)
- Walraven RapidStrut® Hammerfix G2 (BUP1000)
- Walraven Strut Washer - U-shaped