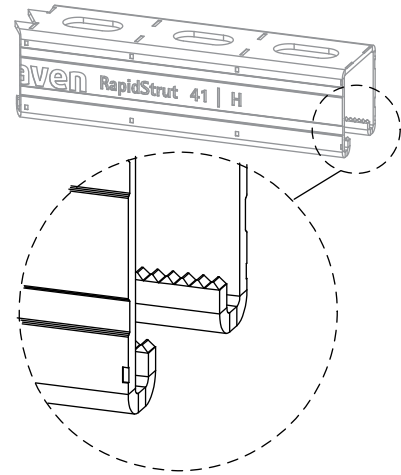
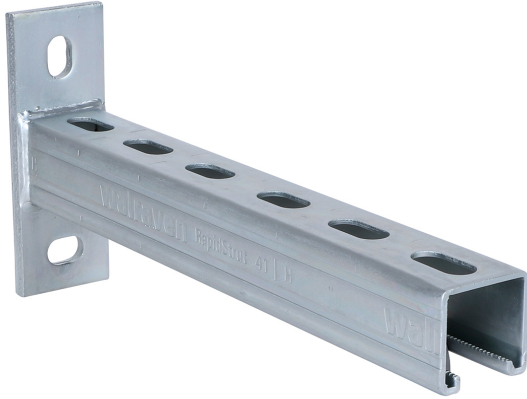


Walraven RapidStrut® Cantilever Arm (BUP1000)

(H 08 06)

fixing to wall, floor or ceiling



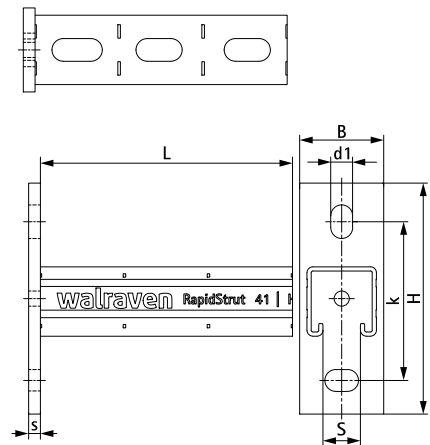
Features and benefits

- base plate with welded C-profile
- for quick and adjustable fixing of one or multiple pipes
- CO₂ welded
- with continuous perforation
- with sawing marks each 50 mm on all 3 sides of the profile
- well balanced relation between base plate and profile for optimal use of load performance
- material: profiles made of steel 1.0038 (S235JR)
- material: base plate type 21 | H made of steel 1.0044 (S275JR)
- material: base plate type 41 | M and 41 | H made of steel 1.0045 (S355JR)
- surface protection:
 - product is part of the Walraven BIS UltraProtect® 1000 system
 - suitable for in- and outdoor applications
 - stands min. 1,000 hours salt spray test (max. 5% red rust) according to ISO 9227
- strut type 41 | H and above tested for fire safety according to EN 1366-1
- for more information about the max. allowed load ($F_{a,z}$) please refer to the loading tables or our online datasheet 'Walraven RapidStrut® Data Sheet'



Part No.	Type	L	B	H	s	d1	S	k	Pack 1
			(mm)	(mm)	(mm)	(mm)	(mm)	(mm)	
66082120	21 H	200 mm	50	110,0	5,0	18 x 11	22	70	10
66082130	21 H	300 mm	50	110,0	5,0	18 x 11	22	70	10
66082145	21 H	450 mm	50	110,0	5,0	18 x 11	22	70	20
66082160	21 H	600 mm	50	110,0	5,0	18 x 11	22	70	10
66084030	41 M	300 mm	50	137,5	7,0	20 x 13	22	95	10
66084045	41 M	450 mm	50	137,5	7,0	20 x 13	22	95	10
66084060	41 M	600 mm	50	137,5	7,0	20 x 13	22	95	8
66084115	41 H	150 mm	50	137,5	7,0	20 x 13	22	95	10
66084120	41 H	200 mm	50	137,5	7,0	20 x 13	22	95	10
66084130	41 H	300 mm	50	137,5	7,0	20 x 13	22	95	10
66084140	41 H	400 mm	50	137,5	7,0	20 x 13	22	95	10
66084145	41 H	450 mm	50	137,5	7,0	20 x 13	22	95	10
66084150	41 H	500 mm	50	137,5	7,0	20 x 13	22	95	10
66084160	41 H	600 mm	50	137,5	7,0	20 x 13	22	95	8
66084175	41 H	750 mm	50	137,5	7,0	20 x 13	22	95	8
66084198	41 H	1.000 mm	50	137,5	7,0	20 x 13	22	95	1
66084199	41 H	1.200 mm	50	137,5	7,0	20 x 13	22	95	1

For more information about the max. allowed load ($F_{a,z}$) please refer to the loading tables or our online datasheet 'Walraven RapidStrut® Data Sheet'.



Complementary

- Walraven Strut Slide Nut (BUP1000)
- Walraven Strut Rail End Cap
- Walraven Strut Rubber Strip

Complementary

- Walraven Rail Prop (BUP1000)
- BIS Expansion Device