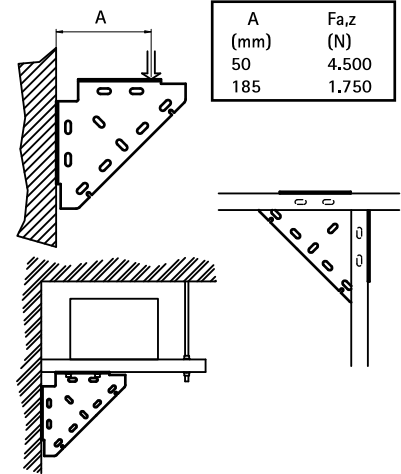


Walraven RapidStrut Construction Bracket (BUP1000)

(H 16 20)

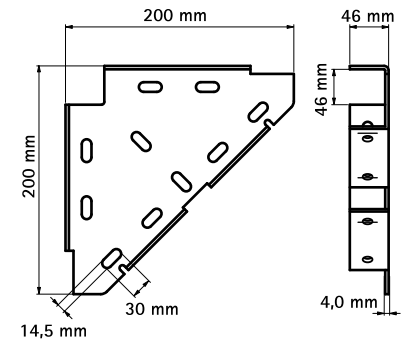
for rail and structural fabrications



Features and benefits

- one-part support
- for fixing support under, top or on side of a cantilever arm
- also used to strengthen rail constructions
- material: steel 1.0332
- surface protection:
 - product is part of the Walraven BIS UltraProtect® 1000 system
 - suitable for in- and outdoor applications
 - stands min. 1,000 hours salt spray test (max. 5% red rust) according to ISO 9227

Part No.	For Rail	Pack 1
65938020	Strut + 38x40	10



Complementary

Walraven RapidStrut® Fixing Rail DS 5
(BUP1000)

Alternative

Walraven RapidStrut Corner Bracket
(BUP1000)