

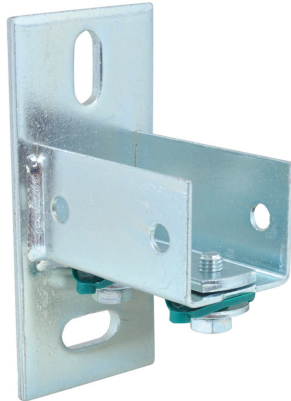
Walraven RapidRail® Wall Plate

(G 15 05)

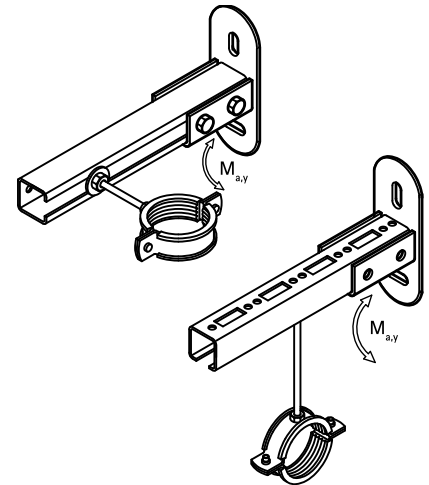
fixing to wall



661 3 200



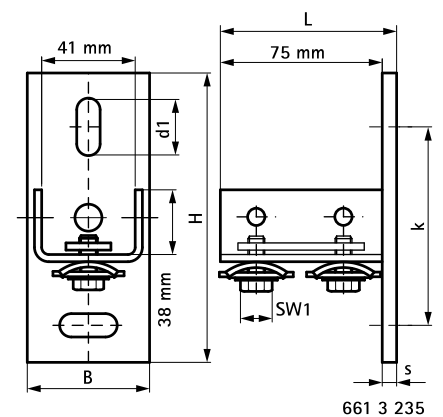
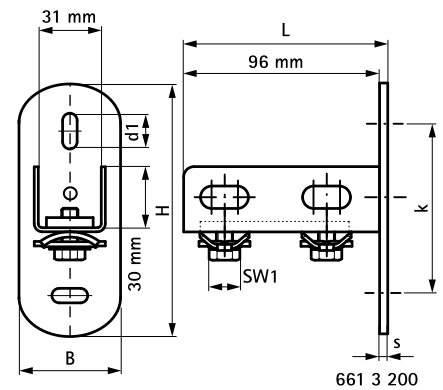
661 3 235



Features and benefits

- flexible base plate for rails
- for wall fixing of rail
- rail can be fixed with slot downwards or sideways
- Part No. 6613200: suitable for 27x18, 30x15, 30x20, 30x30, 30x45
- Part No. 6613235: suitable for 38x40
- slots at 90° to each other to simplify fixing
- CO₂ welded
- with pre-assembled BIS RapidRail® Sliding nut(s) for a quick fixing, and retains assembly in place before final tightening
- material: metal parts made of steel 1.0332; spring(s) made of POM (polyoxymethylene), green
- zinc plated

Part No.	L	B	H	s	d1	k	SW1	For Rail	M _{a,y} (Nm)	Pack 1
6613200	100 mm	50 (mm)	123 (mm)	4.0 (mm)	25 x 11 (mm)	83 (mm)	13 (mm)	27x18, 30x15, 30x20, 30x30, 30x45	140.0	25
6613235	80 mm	60 (mm)	133 (mm)	5.0 (mm)	25 x 11 (mm)	93 (mm)	13 (mm)	38x40	310.0	25



Complementary

Walraven RapidRail® Fixing Rail