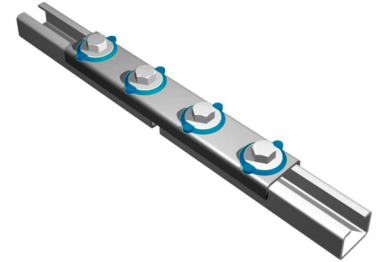
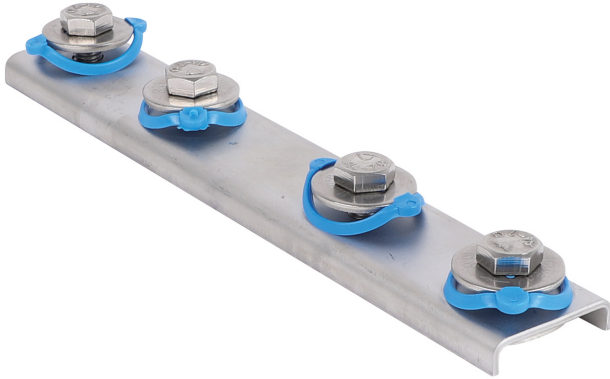


# Walraven RapidRail® Stainless Steel Linear Connector

(M 34 10)

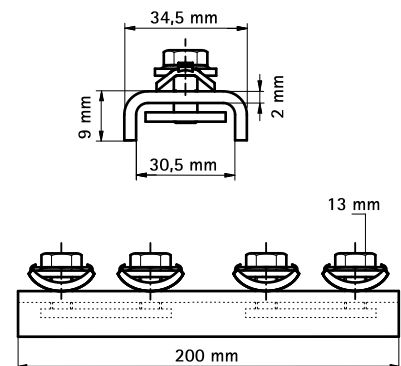
to make Walraven RapidRail® fabrications



## Features and benefits

- connector with pre-assembled BIS RapidRail® Slide nut(s)
- to make rail fabrications
- suitable for rail 30x15, 30x20, 30x30
- ready-to-use pre-assembled for a quick fixing, and retains assembly in place before final tightening
- material: stainless steel 1.4401/1.4404 (A4) - EN10088, AISI 316/316L; spring(s) made of of POM (polyoxymethylene), blue (according to RAL 5015)

Part No.	T <sub>(inst.)</sub> (Nm)	For Rail	F <sub>a,x</sub> (N)	Pack 1
6547001	15.0	30x15, 30x20, 30x30	1,547	25



## Complementary

Walraven RapidRail® Stainless Steel Fixing Rail