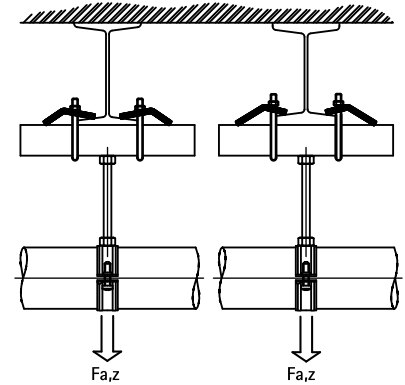


Walraven RapidRail® Stainless Steel Beam Clamp

(M 37 05)

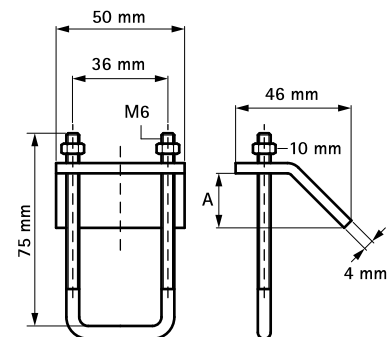
fixing to steel beam



Features and benefits

- for a solid fixing to steel construction without the need for welding or drilling
- material: stainless steel 1.4401 (AISI 316)
- always use 2 beam clamps per fixing

Part No.	A (mm)	SW1 (mm)	T _(inst.) (Nm)	For Rail	F _{a,z} (N)	Pack 1
6587011	< 16	10	7.5	30x15, 30x20, 30x30	4,500	50



Complementary

Walraven RapidRail® Stainless Steel Fixing Rail