

# Walraven RSWB

(J 50 175)

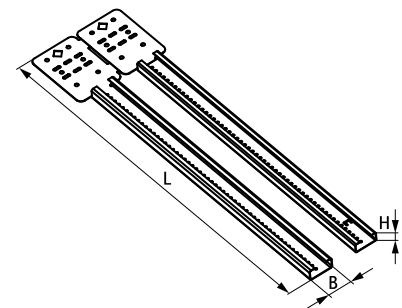
Rapid Sliding Wall Bracket



## Features and benefits

- extendable bracket for faster mounting of electrical boxes, conduit and pipework
- suitable for use in stud walls and floor joists
- can be fixed to wood or metal joists
- quicker and easier to install than traditional methods
- can be set at multiple depths
- combine with starQuick® clamps or RapidRail® Hammerfix for even faster fixing
- Part No. 59491016: shorter version expands from 10 - 16" (25 - 40 cm)
- Part No. 59491624: longer version expands from 16 - 24" (40 - 60 cm)
- material: steel
- pre-galvanized

Part No.	Model	L	B (mm)	H (mm)	Pack 1
59491016	10 - 16" (25 - 40 cm)	323 mm	29.2	13.7	50
59491624	16 - 24" (40 - 60 cm)	440 mm	29.2	13.7	50



### Complementary

- starQuick® Clamp (Grey)
- starQuick® Clamp (White)
- starQuick® Clamp (Copper Colour)

### Complementary

- Walraven RapidRail® Hammerfix
- Walraven RapidRail® Slide Nut
- starQuick® Universal Rail Adaptor