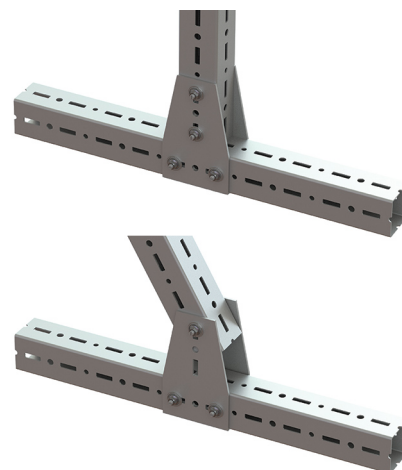
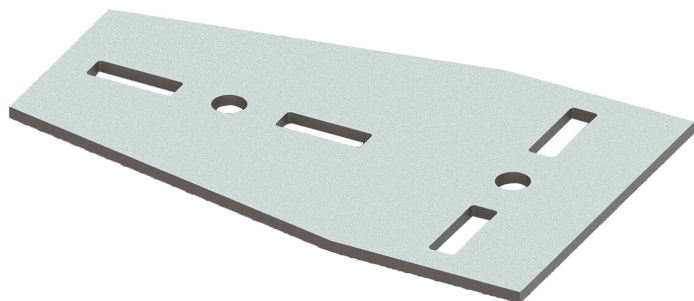


## Walraven Maxx T-Connector

(H2 05 36)

to make Maxx rail fabrications



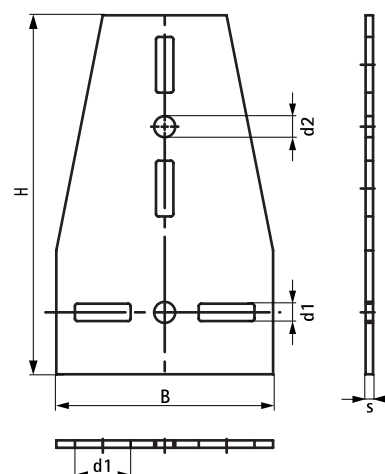
### Features and benefits

- T-connector for Maxx profiles
- advised to use from both sides always
- can also be used to strengthen Maxx constructions with a joint connection
- material: steel S235JR
- hot dip galvanized

Part No.	Type	B (mm)	H (mm)	s (mm)	d1 (mm)	d2 (mm)	F <sub>a,x</sub> (N)	F <sub>a,x 2</sub> (N)	Pack 1
6589119	TC80	175	270	5	45 x 14	17	5,000*	8,250**	-
6589911	TC100	175	290	6	45 x 14	17	5,000*	8,250**	-

\* = When using the connector with 1 pc. Maxx Hammerfix (65219214)

\*\* = When using the connector with 2 pcs. Maxx Hammerfix (65219214)



### Complementary

Walraven Maxx Heavy Rail Profile  
Walraven Maxx Hammerfix