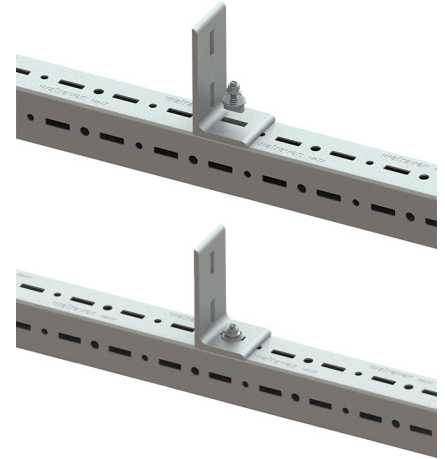
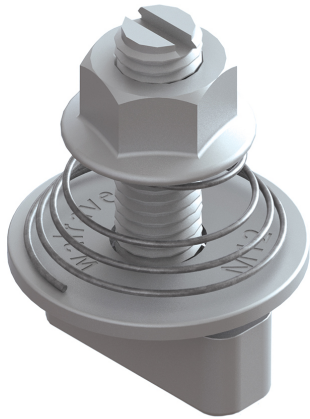


Walraven Maxx Hammerfix

(H2 05 26)

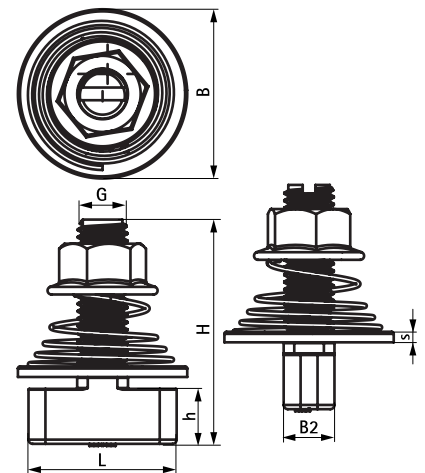
for fixing to Maxx Heavy Rail Profiles



Features and benefits

- form-locking connector
- retains assembly in place before final tightening
- pre-assembled and ready to use for a quick fixing in profile perforation by a push and 90° turn
- with visible mark on top to see the position of hammer end
- with square shaft to block in the profile hole pattern when tightening
- material: steel, strength class 8.8; spring made of stainless steel (AISI 316)
- hot dip galvanized

Part No.	Type	G	L	B	B2	H	h	s	T _{inst}	F _{a,z}	Pack 1
				(mm)	(mm)	(mm)	(mm)	(mm)	(Nm)	(N)	
65219214	HF	M12	35	40	12	53	12.8	2.5	75.0	14,500	25



Complementary

Walraven Maxx Heavy Rail Profile
Walraven Maxx Base Plate
Walraven Maxx Profile Connector 90°

Complementary

Walraven Maxx T-Connector
Walraven Maxx Linear Connector Set
Walraven Maxx U-Shape Bracket