

WDI1R Drop-in Anchor Short

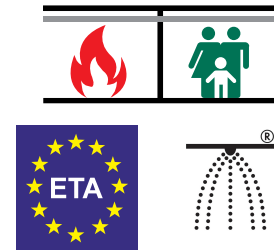
(L 03 20)

reduced length drop-in anchor with a lip collar



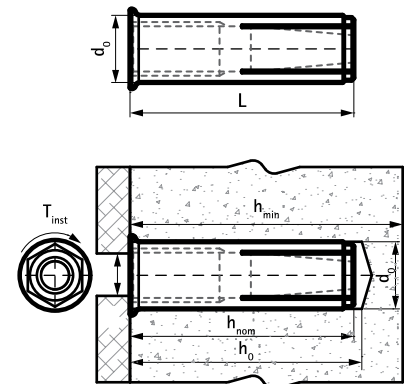
Features and benefits

- simple and quick installation procedure
- collar with a lip for flush anchor setting at any hole depth
- medium load capacity
- reduced 25 mm anchor length allows approved applications in precast prestressed hollow core slabs
- material: steel
- zinc plated
- ETA ETAG001 Part 6 approval for multiple use for non-structural applications
- fire resistance class R30-R120 for design of anchorages under exposure to fire
- complies with VdS CEA 4001:2014-04 (05) and VdS CEA 4001:2018-01 (06) for applications with sprinkler systems in concrete elements
- substrate type:
 - cracked concrete
 - non-cracked concrete



Part No.	Code	Size	L	d ₀	h ₀	h _{min}	h _{nom}	Rec. Tension Load C20/25 Concrete (kN)	ETA	Pack 1	Pack 2
6103206	WDI1R 6x25	M6	25 mm	8	≥ 25	80	≥ 25	1.67*	ETA	100	800
6103208	WDI1R 8x25	M8	25 mm	10	≥ 25	80	≥ 25	1.90*	ETA	100	800
6103210	WDI1R 10x25	M10	25 mm	12	≥ 25	80	≥ 25	2.14*	ETA	50	400
6103212	WDI1R 12x25	M12	25 mm	15	≥ 25	80	≥ 25	2.14*	ETA	50	400

* Recommended loads: are stated for multiple use for non-structural applications according to ETAG001, Part 6; apply to anchors correctly installed at maximum embedment depth; include partial safety factor and an overall partial safety factor for action of 1.4. The partial safety factor for action depends on the type of loading and shall be taken from national regulations. All anchor failure modes and the entire relevant product European Technical Assessment must be considered for anchor design. For more information, please refer to the ETA report.



Complementary

- WDI1R Setting Tool Set
- WIS Brush
- WIS Blow Pump

Complementary

- WDI1 SD Stop Drill Bit
- WSDS+ 3CE Concrete Drill Bit
- WSDS+ HB Hollow Block Drill Bit