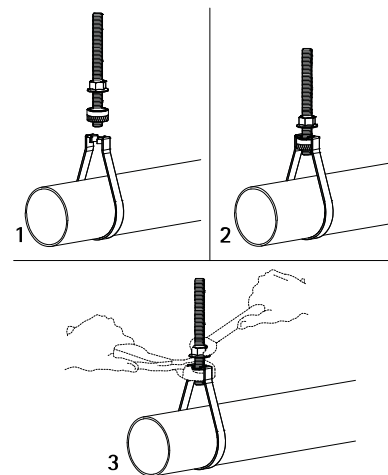


# Sprinkler Clamp

(B 12 17)

for fixing of ceiling mounted sprinkler installation 26,9 - 219,1 mm



## Features and benefits

- easy installation with flange and cap nut
- for pipe suspension from threaded rod or stud bolts
- single band pipe loop with knurled nut and locking nut
- height adjustable, also after pipe insertion
- material: steel
- clamp: pre-galvanized; nut: zinc plated
- with VdS approval - certificate number G 416006
- with FM approval - certificate number 003058306 (> M10)

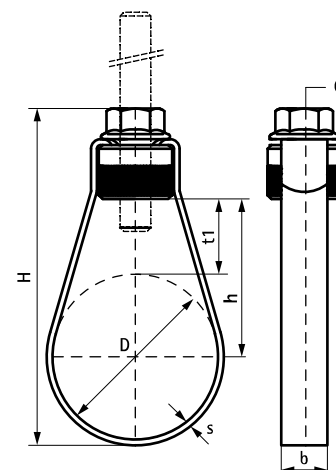


Cert.Nr.  
003058306



Cert.Nr.  
G 416006

Part No.	D (mm)	D (°)	DN	G	H (mm)	h (mm)	b x s (mm)	t1 (mm)	F <sub>a,z</sub> (N)	FM	VdS	Pack 1
45555028	26,9	3/4	20	M8	71	56	12 x 1.50	43	2,000	-	VdS	100
45555035	33,7	1	25	M8	79	61	12 x 1.50	44	2,000	-	VdS	100
45555044	42,4	1 1/4	32	M8	89	66	12 x 1.50	45	2,000	-	VdS	100
45555050	48,3	1 1/2	40	M8	97	71	12 x 1.50	47	2,000	-	VdS	50
45555062	60,3	2	50	M8	112	80	12 x 1.50	50	2,000	-	VdS	50
45565035	33,7	1	25	M10	81	63	12 x 1.50	46	2,000	FM	VdS	100
45565044	42,4	1 1/4	32	M10	91	68	12 x 1.50	47	2,000	FM	VdS	100
45565050	48,3	1 1/2	40	M10	108	82	12 x 1.50	58	2,000	FM	VdS	50
45565062	60,3	2	50	M10	114	82	12 x 1.50	52	2,000	FM	VdS	50
45565077	76,1	2 1/2	65	M10	140	99	15 x 2.50	61	3,500	FM	VdS	50
45565090	88,9	3	80	M10	161	114	15 x 2.50	70	3,500	FM	VdS	25
45565115	114,3	4	100	M10	204	144	15 x 2.50	87	3,500	FM	VdS	25
45565142	139,7	5	125	M12	233	161	15 x 2.50	91	5,000	FM	VdS	20
45565170	168,3	6	150	M12	276	189	15 x 2.50	105	5,000	FM	VdS	20
45565221	219,1	8	200	M16	353	241	25 x 2.50	131	8,500	FM	VdS	10



## Complementary

BIS Sprinkler Clamp HD500 (BUP1000)  
BIS Beam Clamp Model C

## Alternative

BIS Sprinkler Clamp TA41