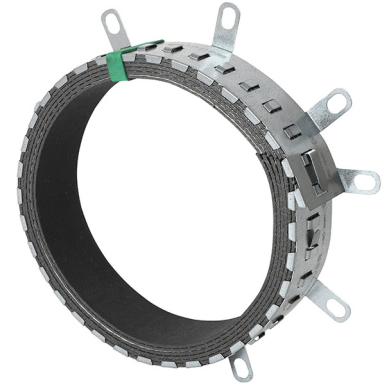
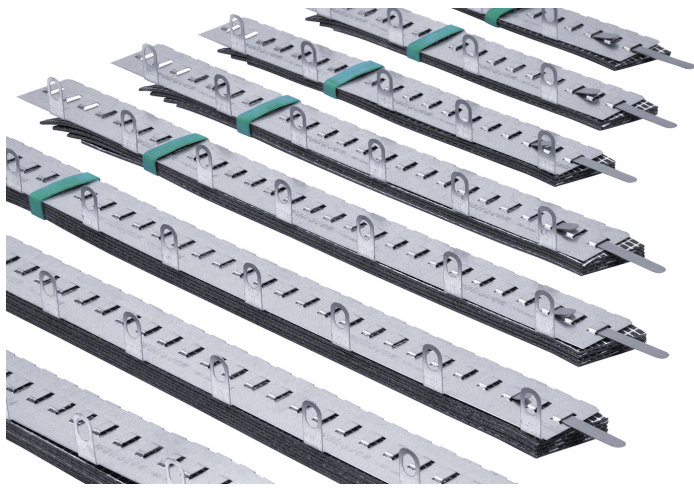


Pacifyre® BFC

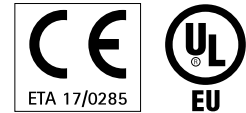
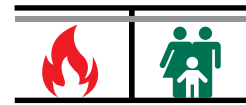
for flammable pipe penetrations 0 - 160 mm

(U 04 38)

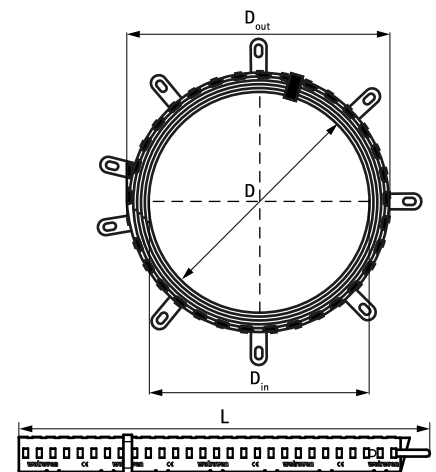


Features and benefits

- easy to install
- suitable for damp conditions
- for thin- and thick-walled pipes
- for flexible walls, solid walls and ceilings
- up to 2 hours fire protection in wall penetrations
- up to 4 hours fire protection on floor/ceiling penetrations
- European approval: ETA-17/0285
- oversized for increased flexibility
- low height of 42.5 mm



Part No.	D (mm)	D in (Inner Ø) (mm)	D out (Outer Ø) (mm)	Model	L	# of fixing points needed	Pack 1
2133000050	0 - 50	56	70	2 layers	267 mm	2	2
2133000063	51 - 63	67	90	3 layers	313 mm	3	2
2133000075	64 - 75	80	100	3 layers	345 mm	3	2
2133000090	76 - 90	98	125	4 layers	423 mm	3	2
2133000110	91 - 110	118	150	4 layers	487 mm	3	2
2133000125	111 - 125	130	160	5 layers	533 mm	4	2
2133000140	126 - 140	145	180	6 layers	595 mm	4	2
2133000160	141 - 160	165	200	6 layers	659 mm	4	2



Complementary

- Pacifyre® FPM
- Pacifyre® Fixing Set 1
- Pacifyre® A Acrylic Fire Sealant

Alternative

- Pacifyre® EFC Fire Collar
- Pacifyre® AWM III Fire Collar