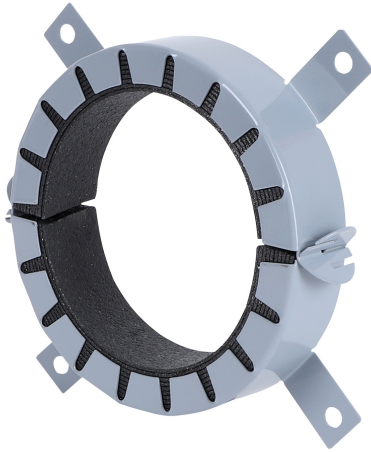


Pacifyre® AWM II+ Fire Collar

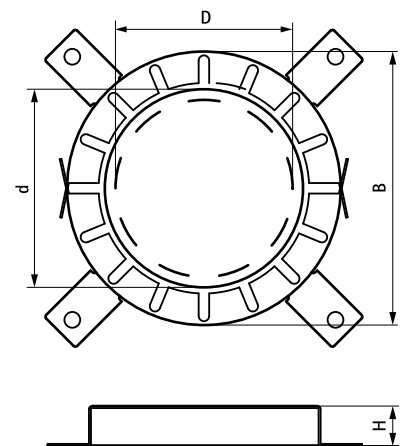
(U 04 30)

for sealing of insulated or non-insulated flammable pipes and multi-layer pipes 32 - 400 mm



Features and benefits

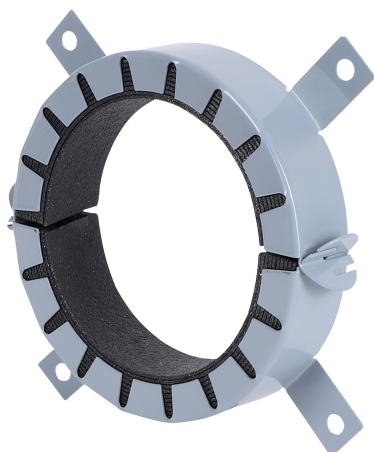
- built-up fire collar for plastic (combustible) pipes and pipe systems. For apertures in walls (solid walls or light partition walls) and ceilings with fire protection
- the installation of elbows, pipe couplings or branch pipes into the wall or directly in, or under the ceiling is possible due to the superficial height of the sleeve
- angular insertion is possible
- installation of telecommunications pipeline- or protective piping with up to 2 cables is possible
- suitable for damp conditions
- should be fitted to both sides of a wall and on one side below a ceiling
- flexible annular gap seal
- the use of PE noise insulation hose up to a thickness of 4 mm of composite natural rubber insulation to a thickness of 43 mm is allowed
- zero distance is possible between fire collars
- in approval with the German Institute for civil engineering (DIBt) in accordance with Z 19.53-2331 and monitored by the MPA Braunschweig, Germany
- European approval: ETA-24/0840



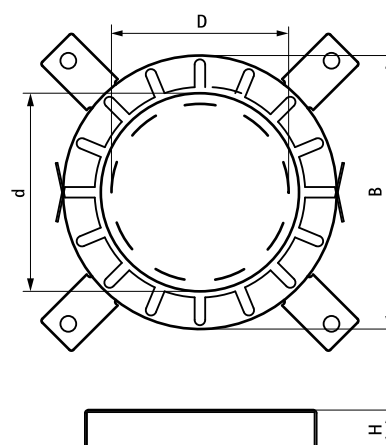
Pacifyre® AWM II+ Fire Collar

(U 04 30)

for sealing of insulated or non-insulated flammable pipes and multi-layer pipes 32 - 400 mm



2134400400	400	414	12 fixing tabs	503	50	1
------------	-----	-----	----------------	-----	----	---



Complementary
 Pacifyre® FPM
 Pacifyre® ID-Card