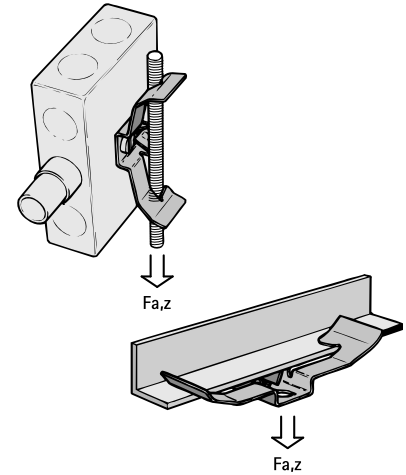
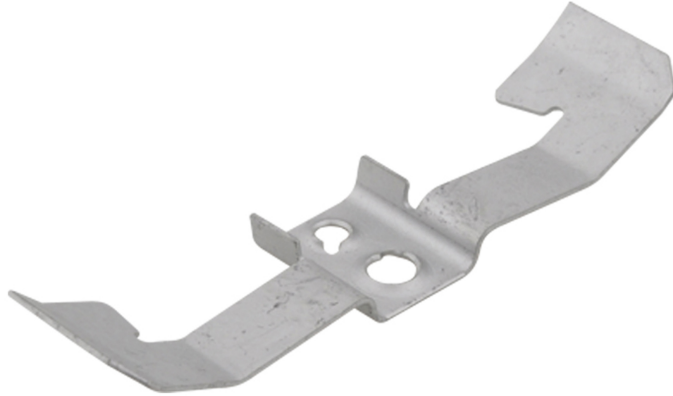


Britclips® TR

for threaded rods or flanges

(J 25 15)

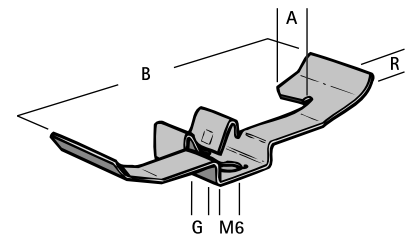


Features and benefits

- for quick fixing to threaded rods or flanges without welding or drilling
- with female thread or hole for universal use
- material: spring steel (type CS70)
- surface treatment: Delta-Tone 9000 (480 hours)

Part No.	Code	A (mm)	R	G	B (mm)	F _{a,z} (N)	Pack 1	Pack 2
55020008	TRM8	3 - 7	M4 - M8	M4	80	220	100	400

For use with static loads only.



Complementary

- BIS Stud Bolt
- BIS Threaded Rod