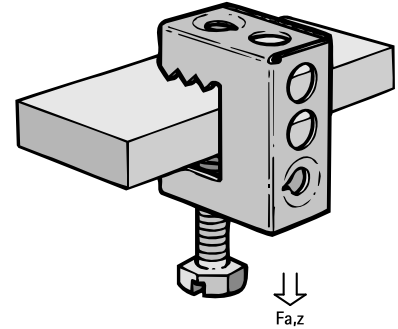
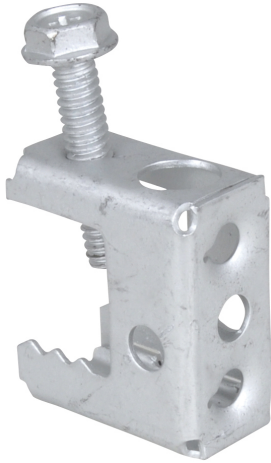


Britclips® SB

for flange 2 - 17 mm

(J 15 05)

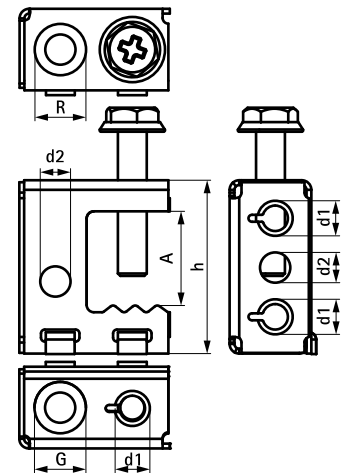


Features and benefits

- for a solid fixing to steel construction without the need for welding or drilling
- various fixing possibilities to clamp (horizontal and vertical)
- with thread connector M6
- material: spring steel (type CS70)
- surface treatment: Delta-Tone 9000 (480 hours)

Part No.	Code	A (mm)	R	G	h (mm)	d1 (mm)	d2 (mm)	F _{a,z} (N)	Pack 1	Pack 2
53420717	SB17 6,5	2 - 17	11 mm	Ø 6.0 mm	36	M6	6.0	550	100	400
53420757	SB17 6,5-B	2 - 17	11 mm	Ø 6.0 mm	36	M6	6.0	550	25	500
53421117	SB17 11	2 - 17	11 mm	Ø 11.0 mm	36	M6	6.0	550	100	400

Articles with codes ending in a '-B' are packed in a plastic bag.
For use with static loads only.



Complementary
BIS Stud Bolt
BIS Threaded Rod

Alternative
Britclips® Tiger