

# Britclips® RSWB

Rapid Sliding Wall Bracket

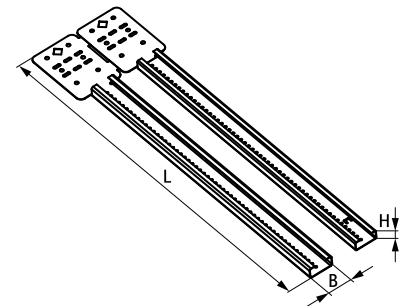
(J 50 175)



## Features and benefits

- extendable bracket for faster mounting of electrical boxes, conduit and pipework
- suitable for use in stud walls and floor joists
- can be fixed to wood or metal joists
- quicker and easier to install than traditional methods
- can be set at multiple depths
- combine with starQuick® clamps or RapidRail® Hammerfix for even faster fixing
- Part No. 59491016: shorter version expands from 10 - 16" (25 - 40 cm)
- Part No. 59491624: longer version expands from 16 - 24" (40 - 60 cm)
- material: steel
- pre-galvanized

| Part No. | Model                 | L      | B<br>(mm) | H<br>(mm) | Pack 1 |
|----------|-----------------------|--------|-----------|-----------|--------|
| 59491016 | 10 - 16" (25 - 40 cm) | 323 mm | 29.2      | 13.7      | 50     |
| 59491624 | 16 - 24" (40 - 60 cm) | 440 mm | 29.2      | 13.7      | 50     |



### Complementary

- starQuick® Clamp (Grey)
- starQuick® Clamp (White)
- starQuick® Clamp (Copper Colour)

### Complementary

- Walraven RapidRail® Hammerfix
- Walraven RapidRail® Slide Nut
- starQuick® Universal Rail Adaptor