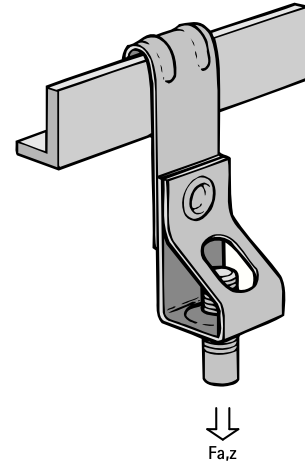


Britclips® PHV ICT

for vertical flanges 1 - 7 mm

(J 40 60)

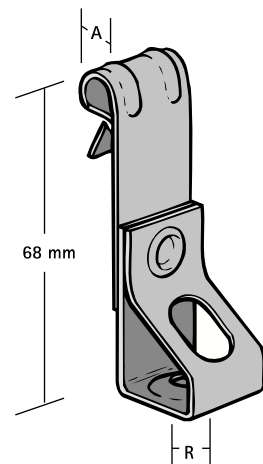


Features and benefits

- for fixing to vertical flanges
- with threaded rod holder (rod height adjustable by screwing)
- material: spring steel (type CS70)
- surface treatment: Delta-Tone 9000 (480 hours)

Part No.	Code	A (mm)	R	F _{a,z} (N)	Pack 1	Pack 2
57420605	PHV5 ICTM6	1 - 5	M6	650	100	400
57420805	PHV5 ICTM8	1 - 5	M8	700	100	400

For use with static loads only.



Complementary
 BIS Stud Bolt
 BIS Threaded Rod