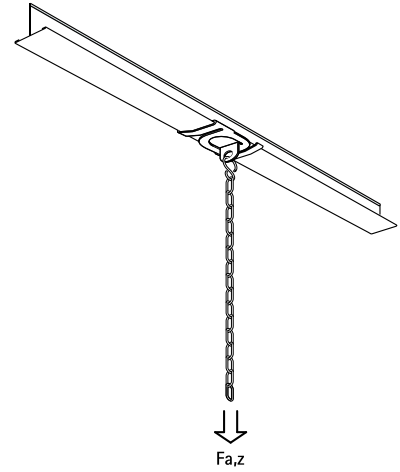


# Britclips® ACHW / ACHZ

for ceiling grid 25 mm

(J 35 40)

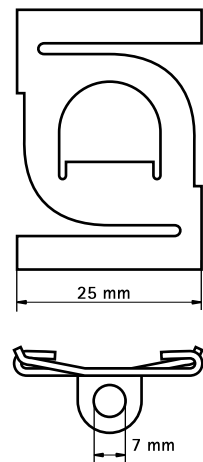


## Features and benefits

- twist on fixing
- for fixing to the ceiling grid
- with fixing hole (Ø 7.0 mm) to fix S-hook, etc.
- material: spring steel (type CS70)

Part No.	Code	d1 (mm)	F <sub>a,z</sub> (N)	ST	Pack 1	Pack 2
56090025	ACHW	7.0	220	epoxy-coated (white)	100	500
56030025	ACHZ	7.0	220	zinc plated	100	500

*For use with static loads only.*



**Complementary**  
 BIS S-Hook  
 BIS Chain (DIN 5685)