

BISOFIX[®] 88

(D 05 40)

for insulated pipes 15,8 - 324,3 mm

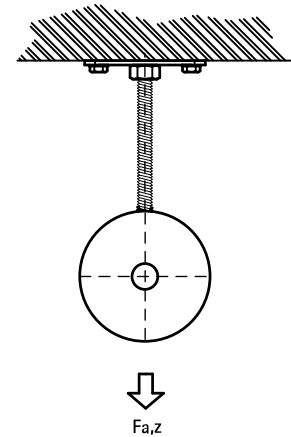
M8/M10/1/2" - M12/1/2" - M16/3/4"



0880060

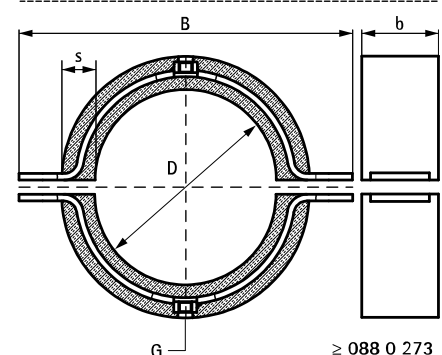
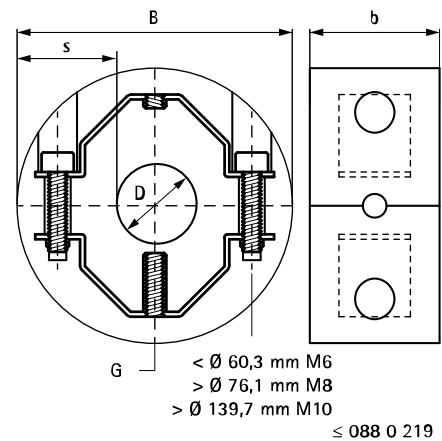


0880273



Features and benefits

- two-screw clamp integrated in PUR foam
- for fixing of thermal isolated pipe of steel, copper or stainless steel
- no adhesion necessary due to Inda rubber inlay
- vapour proof glueing to pipe insulation
- suitable for heavy applications (for example with bigger spans), waste stacks, etc.
- the whole is smoothly completed for a better connection with the pipe insulation
- the foam prevents the forming of a thermal bridge and prevents the steel parts from corrosion
- material: clamp of steel; insulation shell made of PUR closed cell solid foam
- good resistant to chemicals influences
- excellent thermal and mechanical properties
- clamp: zinc plated
- working temperature from -50 °C to +105 °C



Complementary

Walraven RapidRail[®] Fixing System
Walraven Fixing Accessories
Walraven Fastenings

BISOFIX[®] 88

(D 05 40)

for insulated pipes 15,8 - 324,3 mm

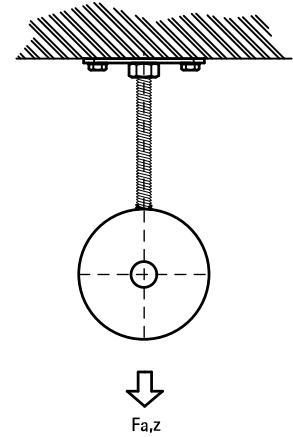
M8/M10/1/2" - M12/1/2" - M16/3/4"



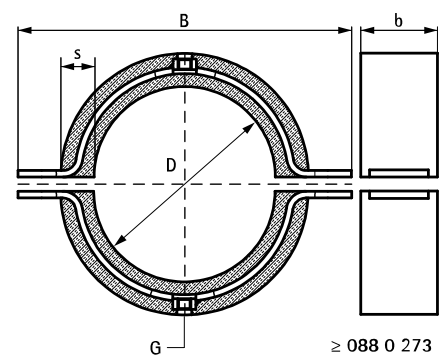
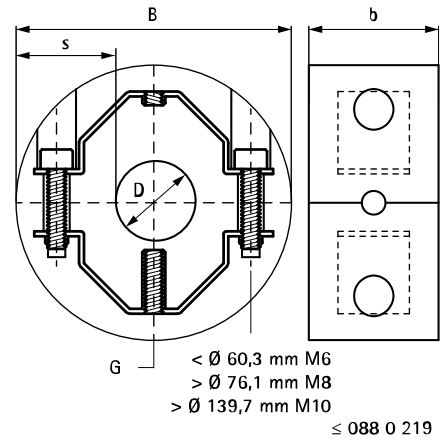
0880060



0880273



0880324	324,3	12	300	M20	576	100 x 60	16,800	3
---------	-------	----	-----	-----	-----	----------	--------	---



Complementary

Walraven RapidRail[®] Fixing System
 Walraven Fixing Accessories
 Walraven Fastenings