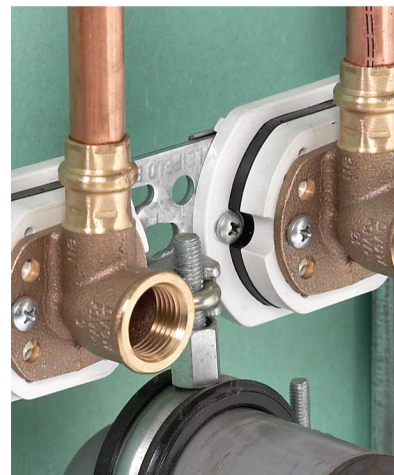


BISMAT[®] Rail – Mounting Clamp

(K 30 45)

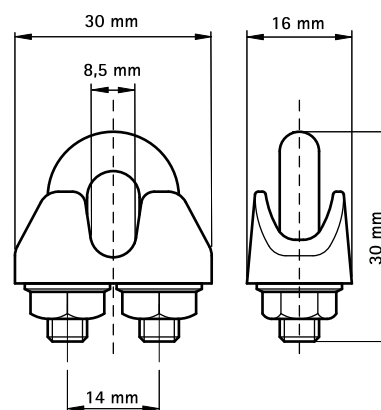
accessories of BISMAT[®] Rail



Features and benefits

- to fix stud bolt M6 or M8 to BISMAT[®] Rail
- material: steel
- (e.g. to fix a clamp or siphon)

Part No.	For Rail	Pack 1
0835002	BISMAT [®] Rail	50



Complementary
BIS Stud Bolt