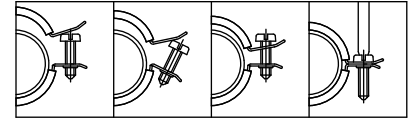


BISMAT[®] 2000

for metal pipes 11 - 63 mm

M8 - M8/10

(A 05 16)



Features and benefits

- single screw clamp
- with BISMAT[®] quick locking system
- material: steel
- zinc plated
- noise insulating lining, EPDM rubber, black
- age resistant lining
- sound insulating lining according DIN 4109
- noise reduction according to ISO 3822-1 up to 23 dB(A)
- tested for fire safety



RAL-GZ 655/B
Cert.Nr. 2010-22



RAL-GZ 656
Cert.Nr. 2011-10a



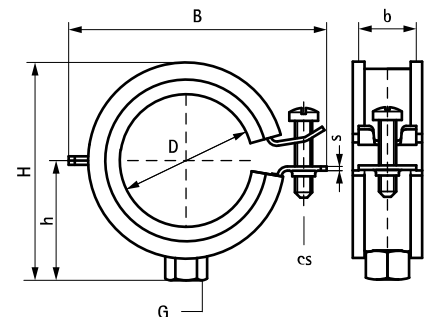
1530-003-15

| Part No. | D (mm) | D (°) | DN | G | B (mm) | H (mm) | h (mm) | b x s (mm) | cs | F _{a,z} (N) | RAL | Pack 1 |
|----------|-----------|----------|----|-------|-----------|-----------|-----------|---------------|----|-------------------------|------------------|--------|
| 3413014 | 11 - 14 | 1/4 | 8 | M8 | 48 | 32 | 20 | 20 x 1.00 | M6 | 600 | - | 50 * |
| 3413018 | 15 - 18 | 3/8 | 10 | M8 | 48 | 36 | 22 | 20 x 1.00 | M6 | 600 | RAL ² | 50 |
| 3413023 | 20 - 23 | 1/2 | 15 | M8 | 55 | 39 | 23 | 20 x 1.00 | M6 | 600 | RAL ² | 50 |
| 3413028 | 25 - 28 | 3/4 | 20 | M8 | 60 | 44 | 26 | 20 x 1.00 | M6 | 600 | RAL ² | 50 |
| 3413035 | 31 - 35 | 1 | 25 | M8 | 67 | 51 | 30 | 20 x 1.00 | M6 | 600 | RAL ² | 50 |
| 3413039 | 36 - 39 | - | - | M8 | 75 | 56 | 32 | 20 x 1.25 | M6 | 600 | - | 50 * |
| 3413043 | 40 - 43 | 1 1/4 | 32 | M8 | 75 | 60 | 34 | 20 x 1.25 | M6 | 800 | RAL ² | 50 |
| 3413045 | 44 - 45 | - | - | M8 | 85 | 63 | 35 | 20 x 1.25 | M6 | 800 | - | 50 * |
| 3413053 | 48 - 51 | 1 1/2 | 40 | M8 | 85 | 66 | 37 | 20 x 1.25 | M6 | 800 | RAL ² | 50 |
| 3413054 | 53 - 56 | - | - | M8 | 89 | 72 | 40 | 20 x 1.25 | M6 | 800 | RAL ² | 50 |
| 3413063 | 59 - 63 | 2 | 50 | M8 | 94 | 78 | 43 | 20 x 1.25 | M6 | 800 | RAL ² | 50 |
| 3403018 | 15 - 18 | 3/8 | 10 | M8/10 | 48 | 44 | 30 | 20 x 1.00 | M6 | 600 | RAL ² | 50 |
| 3403023 | 20 - 23 | 1/2 | 15 | M8/10 | 55 | 47 | 31 | 20 x 1.00 | M6 | 600 | RAL ² | 50 |
| 3403028 | 25 - 28 | 3/4 | 20 | M8/10 | 60 | 52 | 34 | 20 x 1.00 | M6 | 600 | RAL ² | 50 |
| 3403035 | 31 - 35 | 1 | 25 | M8/10 | 67 | 59 | 38 | 20 x 1.00 | M6 | 600 | RAL ² | 50 |
| 3403043 | 40 - 43 | 1 1/4 | 32 | M8/10 | 75 | 68 | 42 | 20 x 1.25 | M6 | 800 | RAL ² | 50 |
| 3403053 | 48 - 51 | 1 1/2 | 40 | M8/10 | 85 | 74 | 45 | 20 x 1.25 | M6 | 800 | RAL ² | 50 |
| 3403054 | 53 - 56 | - | - | M8/10 | 89 | 80 | 48 | 20 x 1.25 | M6 | 800 | RAL ² | 50 |
| 3403063 | 59 - 63 | 2 | 50 | M8/10 | 94 | 86 | 51 | 20 x 1.25 | M6 | 800 | RAL ² | 50 |

RAL² = tested, certified and monitored by a third party according to RAL-GZ 655/B and RAL-GZ 656.

* Not included in the scope of European Technical Assessment ETA 22/0562.

For detailed technical information about our RAL marked products, please see the RAL datasheet in our web catalogue.



Complementary

Walraven RapidRail[®] Fixing System
Walraven Fixing Accessories
Walraven Fastenings

Alternative

BISMAT[®] Flash