

BIS U-Clamp

for steel pipes 17,2 - 273,0 mm

(B 10 25)

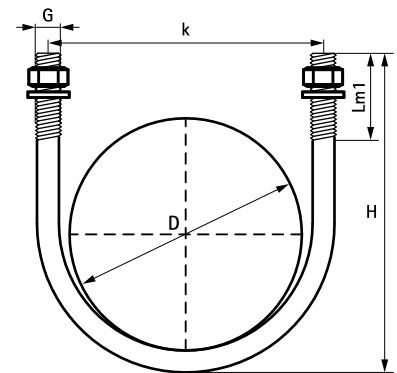


Features and benefits

- U-clamp with thread
- including nuts and washers
- material: steel
- zinc plated

| Part No. | D (mm) | D (") | DN | G | H (mm) | Lm1 (mm) | k (mm) | Pack 1 |
|------------|-----------|----------|-----|-----|-----------|-------------|-----------|--------|
| 2084306017 | 17,2 | 3/8 | 10 | M6 | 42 | 19 | 24 | 100 |
| 2084306021 | 21,5 | 1/2 | 15 | M6 | 48 | 25 | 28 | 100 |
| 2084306027 | 26,9 | 3/4 | 20 | M6 | 63 | 30 | 35 | 50 |
| 2084306034 | 33,7 | 1 | 25 | M6 | 71 | 30 | 42 | 50 |
| 2084308027 | 26,9 | 3/4 | 20 | M8 | 63 | 30 | 35 | 100 |
| 2084308034 | 33,7 | 1 | 25 | M8 | 71 | 30 | 42 | 100 |
| 2084308042 | 42,4 | 1 1/4 | 32 | M8 | 79 | 30 | 51 | 100 |
| 2084308049 | 48,3 | 1 1/2 | 40 | M8 | 80 | 30 | 57 | 100 |
| 2084308060 | 60,3 | 2 | 50 | M8 | 92 | 30 | 69 | 25 |
| 2084308076 | 76,1 | 2 1/2 | 65 | M8 | 108 | 30 | 85 | 25 |
| 2084310090 | 88,9 | 3 | 80 | M10 | 131 | 40 | 99 | 25 |
| 2084310114 | 114,3 | 4 | 100 | M10 | 167 | 50 | 127 | 25 |
| 2084312140 | 139,7 | 5 | 125 | M12 | 191 | 50 | 152 | 25 |
| 2084314168 | 168,3 | 6 | 150 | M14 | 219 | 50 | 180 | 10 |
| 2084316219 | 219,1 | 8 | 200 | M16 | 282 | 60 | 236 | 10 |
| 2084316273 | 273,0 | 10 | 250 | M16 | 336 | 60 | 290 | 10 |

Also available in stainless steel.



Alternative

- BIS Stainless Steel U-Clamp
- BIS U-Clamp (long)