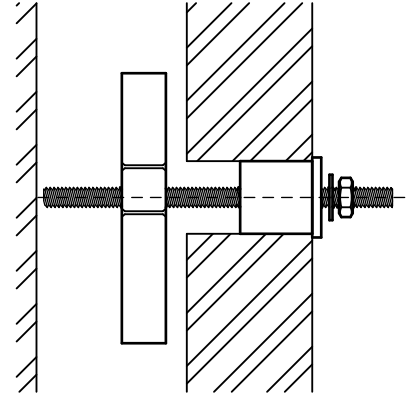


BIS Toggle Bolt

fixing to hollow walls

(L 10 88)



Features and benefits

- for fixing in hollow walls
- material: metal parts made of steel; spacer collar of EPDM rubber; washer of PP (polypropylene)
- pre-galvanized

Part No.	Pack 1
0670600	20
<i>The max. allowed load ($F_{o,2}$) depends on the application, for a detailed load calculation please contact Walraven technical support.</i>	

