

BIS Tacker System

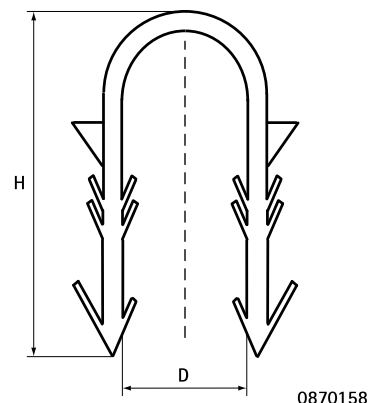
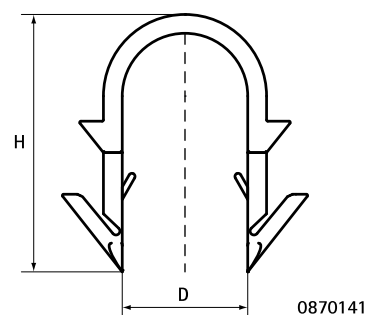
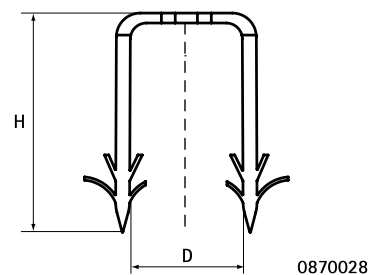
(O 15 20)

for floor pipe Ø 14 - 20 mm



Features and benefits

- the BIS Tacker system consists of wide and stable clamps and a problem free tacker device
- Part No. 693 0 001: Tacker device for a quick processing of tacker clamps (KA8 and KAL)
- Part No. 0870141 (type KA8): for insulating plates from 25 mm thickness with foil
- Part No. 0870158 (type KAL): for insulating plates from 40 mm thickness without foil (e.g. Styrodur®, Styropor®)
- for floor pipe up to Ø 20 mm
- Part No. 6930001: Tacker device for a quick processing of tacker clamps (KA8 and KAL)
- Part No. 0870141 (type KA8): for insulating plates from 25 mm thickness with foil
- by means of self-adhesive tape attached together per 20 pieces
- material: PP (polypropylene), black



Part No.	D (mm)	Model	Type	H (mm)	Pack 1	Pack 2
6930001	0,0	Tacker	KA	-	1	-
0870141	14 - 20	BIS Tacker Clamps (short)	KA8	41	200	4,000
0870158	14 - 20	BIS Tacker Clamps (long)	KAL	58	300	-