

BIS Suspension Eye – Metric

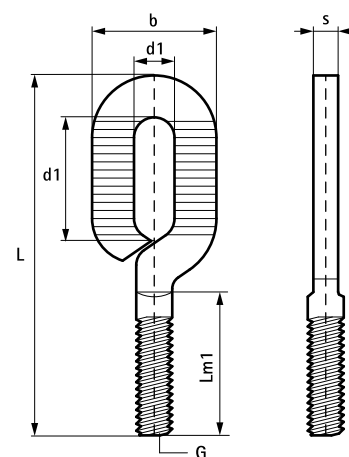
(K 45 50)



Features and benefits

- material: steel
- zinc plated

Part No.	G	L	b x s (mm)	d1 (mm)	Lm1 (mm)	F _{a,z} (N)	Pack 1
6813830	M8	80 mm	27 x 5.5	26 x 9.0	30	1,800	100



Complementary

- WDI1 Drop-in Anchor
- WDI1L Drop-in Anchor Lipped
- WDI1 Drop-in Anchor SSt

Complementary

- WBA Brass Anchor
- WDI1 Setting Tool